



QuickStand 5-Second Series

Large Free-Standing Pull up Projection Screen

User's Guide

Thank you for choosing the *QuickStand 5-Second Series* projection screen! Please read through this user guide before utilizing the screen. Correct usage and maintenance will ensure a long product life

1. Dust, dirt and scratches on the projection surface will affect the picture quality, please take note of the points below to prevent that from occurring:

- Do not touch the projection surface with your hands
- Do not write or draw on the projection surface
- Do not use fingers or sharp objects to point on the projection surface; this will damage the screen material.
- Use a soft-damp cloth to clean the projection surface; do not use chemical cleaning agents or alcohol.
- Use clean water when dampening the cleaning cloth and do not rub against the material to clean it.

2. After using the screen, disassemble it and store it in the carrying bag provided.

3. To avoid damage and injury, the screen should only be operated by adults.

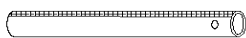
Product Description

Design: The QuickStand 5-Second Series allows a quick set up. The screen includes a built-in stage case for travel. It pops out of the case and is extended using a dual-scissor support system.

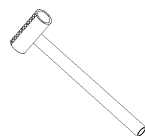
When unpacking the screen, check that all parts are included

Parts List

A. Horizontal Support Bar x2



B. Vertical Support T-Bar x3



C. Drape x2



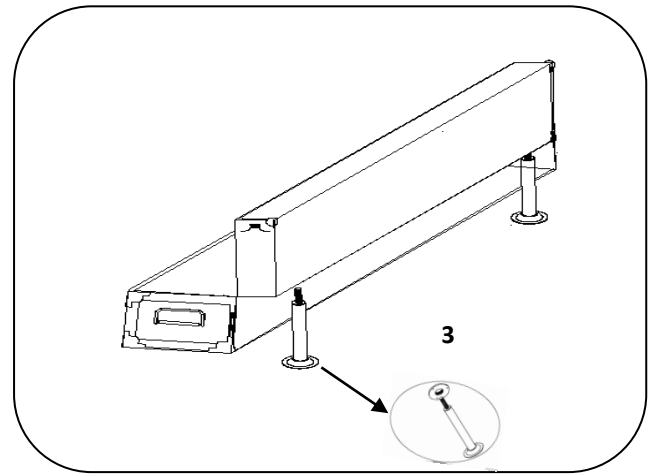
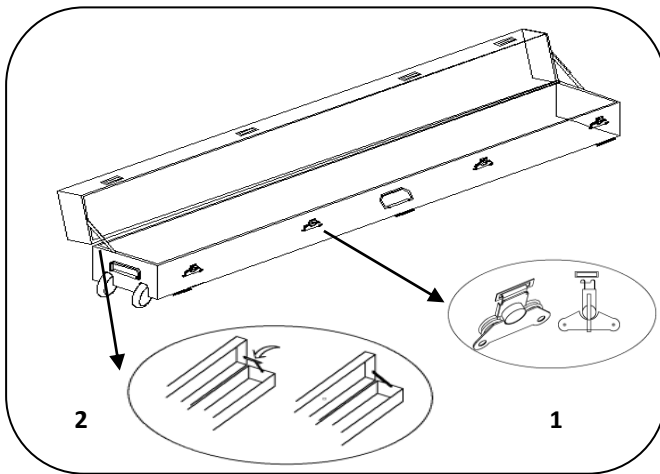
D. Top Cover Foot x2



Note: The parts list above is subject to change without notice.

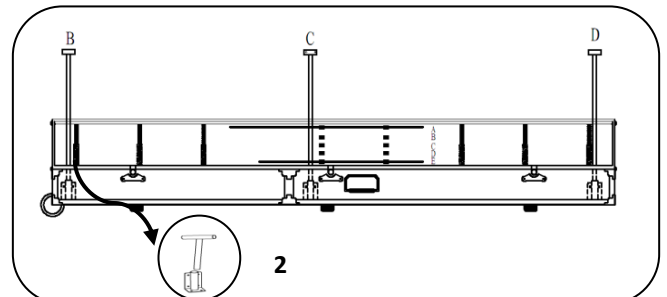
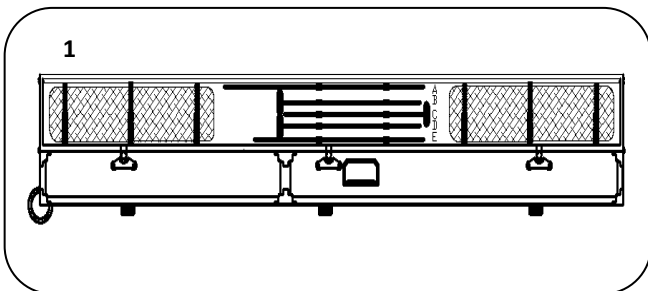
Opening the case

1. Begin by unlocking the four locks by turning them counter-clockwise.
2. Then open up the case making sure the left and right hinges are fully extended.
3. Install the **Top Cover Foot (D)** on the Left and Right side as shown below.

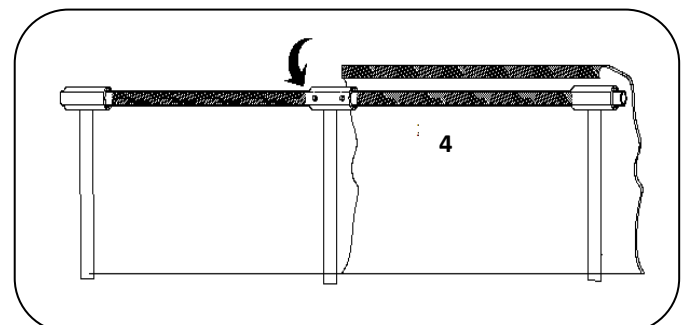
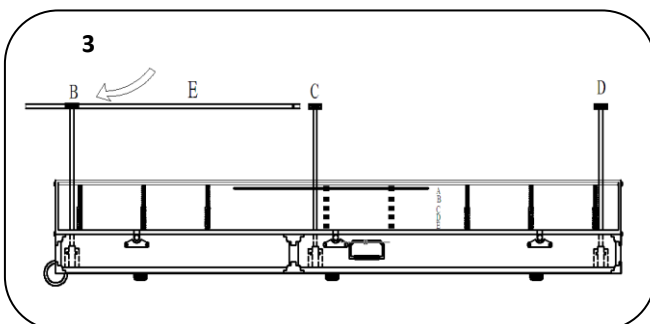


Drape Kit Installation

1. Once the case has been opened, you will find the Drape Kit inside the top cover.
2. Insert the **Vertical Support T-Bar (B)** into each slot inside the case.



3. Connect the **Horizontal Support Bar (A)** to the **Vertical Support T-Bar (B)**.
4. Then, attach the **Drape (C)** to the Velcro on the **Horizontal Support Bar (A)**.

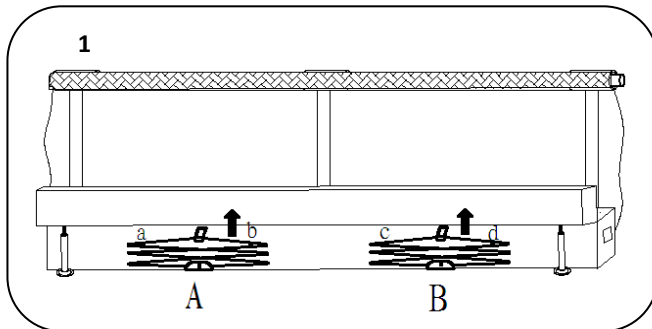


How to Raise the QuickStand 5-Second screen

Caution:

- *Two-man operation is required.*
- *Always pull and push evenly simultaneously on both scissors. Failure to do so will damage the screen and is not covered under warranty.*

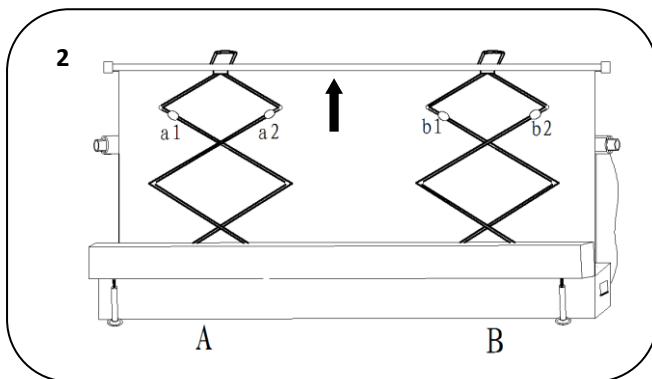
Step 1. Grasp the lifting handles and raise the screen to the highest possible level. This will cause the (scissor-spring) supports to expand for step 2.



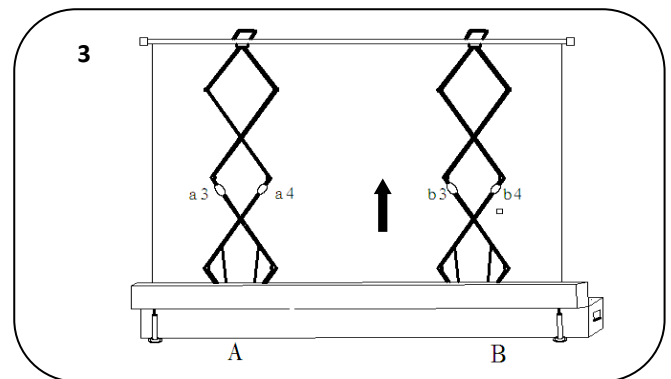
Step 2. Once the scissor springs have deployed, grasp the diagonal spans (*a1 a2 b1 b2*) and continue raising the screen and far as you can reach or the desired height.

**Maintain the alignment of both scissor supports while raising or lowering the screen.*

Step 3: If full elevation is required, grasp the lower set of diagonal spans (*a3 a4 b3 b4*) and continue lifting until you have reached the full height.



Lift up and push *a1 a2* and *b1 b2*

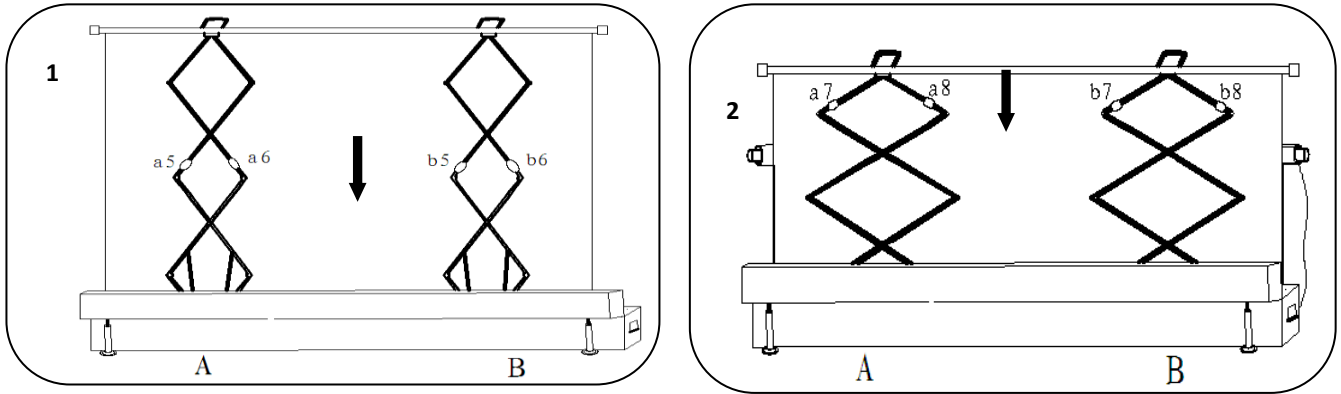


Push up by squeezing *a3 a4* and *b3 b4*

How to lower Quick Stage Screen

Step 1: Grasping the lower spans of the (scissor) support, gently bring the screen down while maintaining the alignment of both supports.

Step 2: Continue lowering while using a “hand-over-hand” method on the diagonal spans until the top handles can be reached.



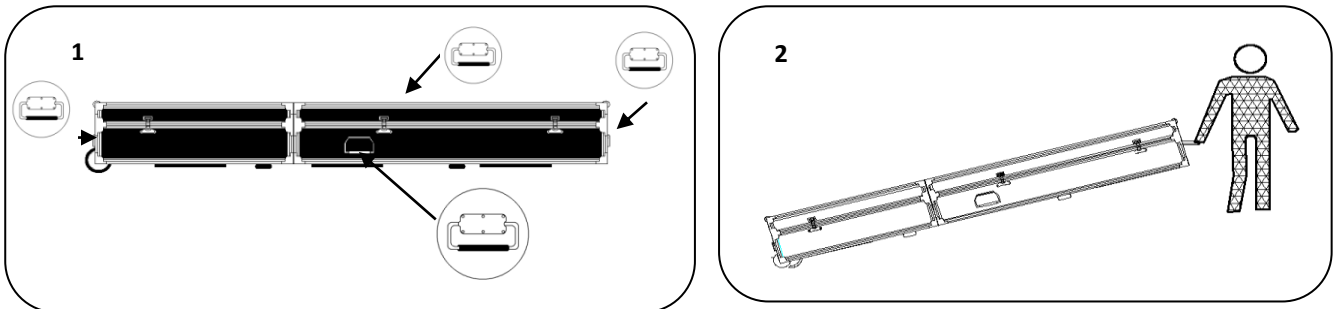
Pull down *a5 a6 b5 b6* and then pull down again *a7 a8, b7 b8*

Step 3: Ease material down until it is fully retracted and firmly bound around the roller. Close the casing lid and secure the locks.

How to move the screen

The QuickStand 5-Second Series offers two ways to be move the screen.

- 1) Lift the screen by the handles and move it to its desired location.
- 2) Pick up the screen from the handle and roll it with the built-in wheels to the desired location.



Note:

Always close the screens and store it inside the box when not in use. This will prolong the life of the product and protect the material for best presentation results.

For a local Elite Screens contact or Technical Support, please visit

www.elitescreens.com