



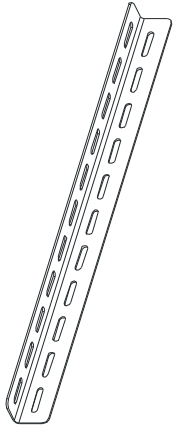
# Ceiling Trim Kit for Home2 Series

User's Guide

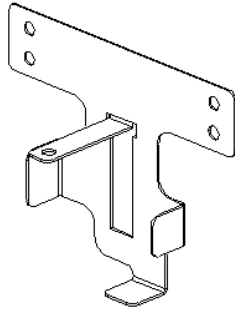


## Parts List

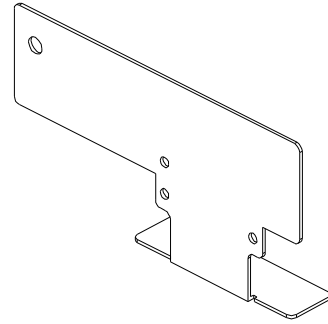
Please make sure all parts listed below are included before assembly.



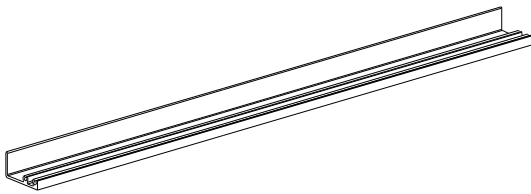
1. Suspension Bar x 4 pcs



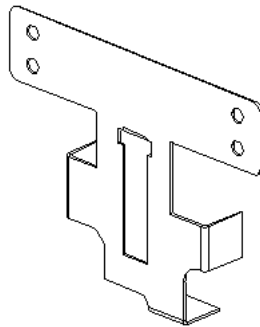
2. Right Bracket x 1 pc



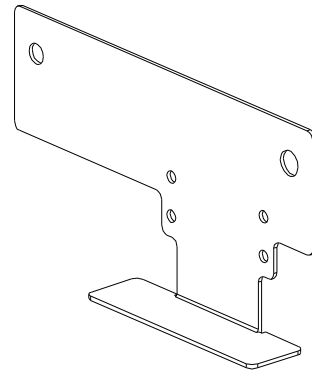
3. Left Plank x 1 pc



4. Ceiling Panel x 4 pcs



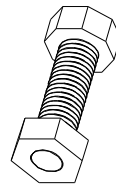
5. Left Bracket x 1 pc



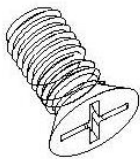
6. Right Plank x 1 pc



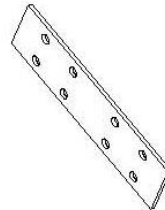
7. Self-Drilling Screws x 8 pcs



8. Screw + Nut x 12 pcs

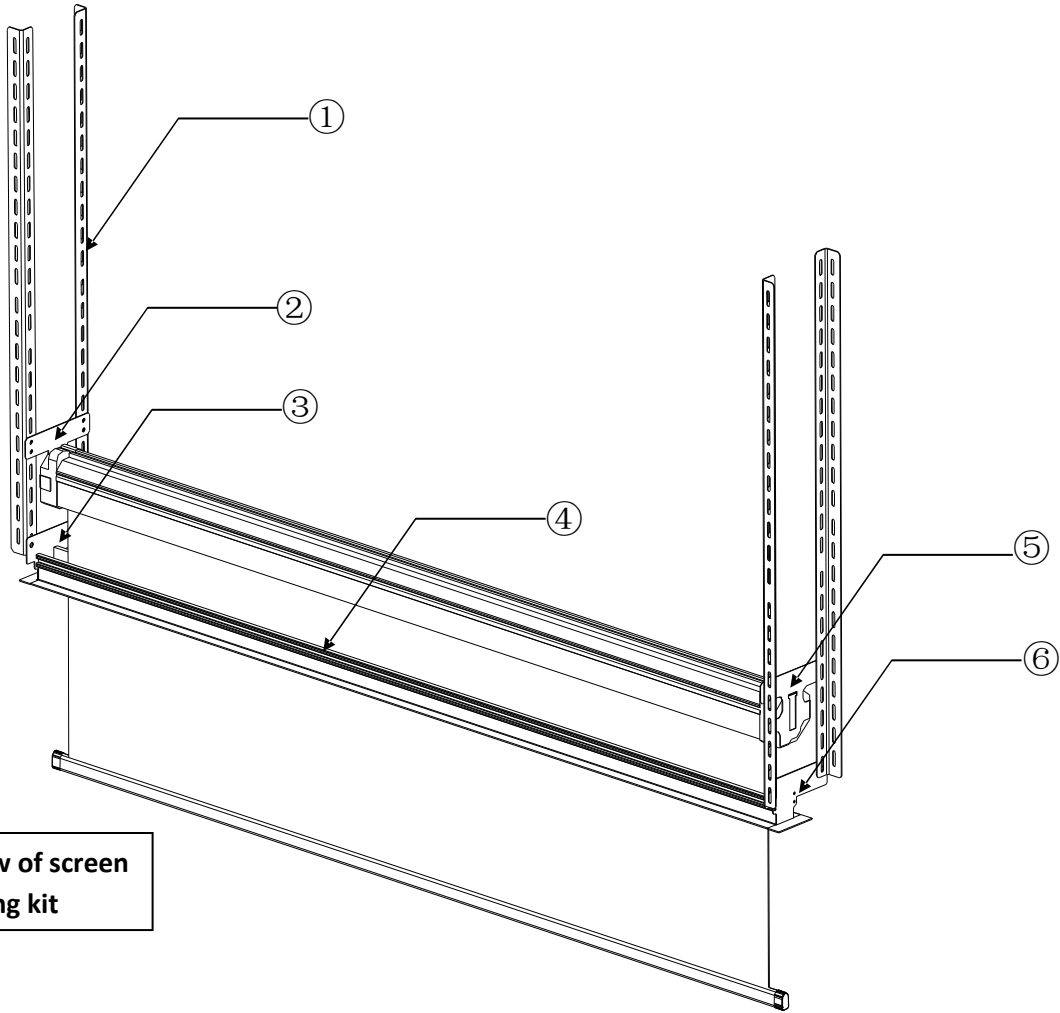


9. M5 Screws x 16 pcs



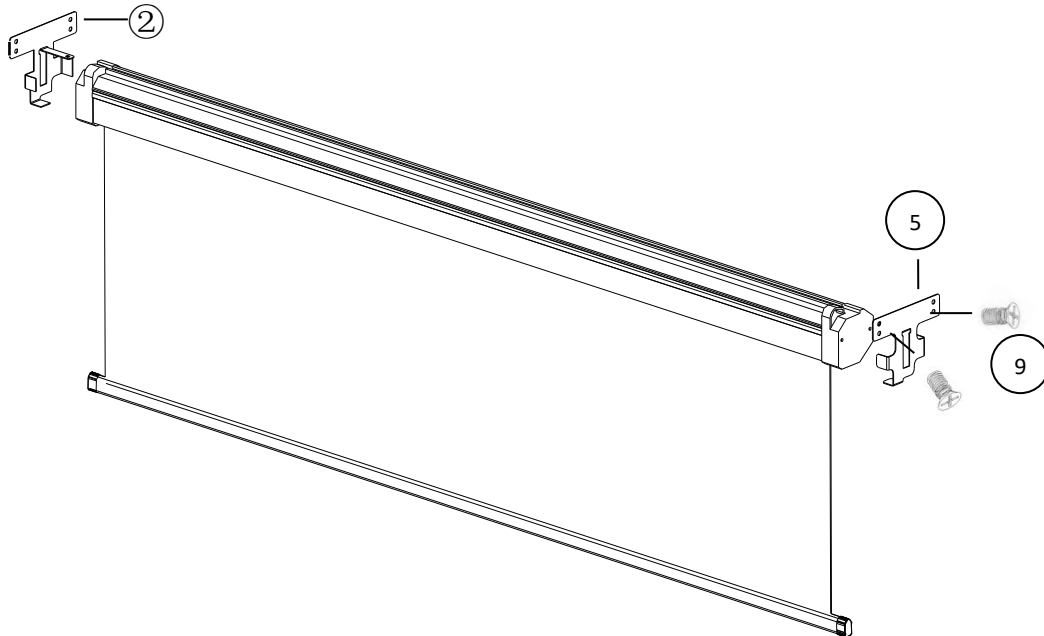
10. Connecting Sheet x 2 pcs

# ASSEMBLY

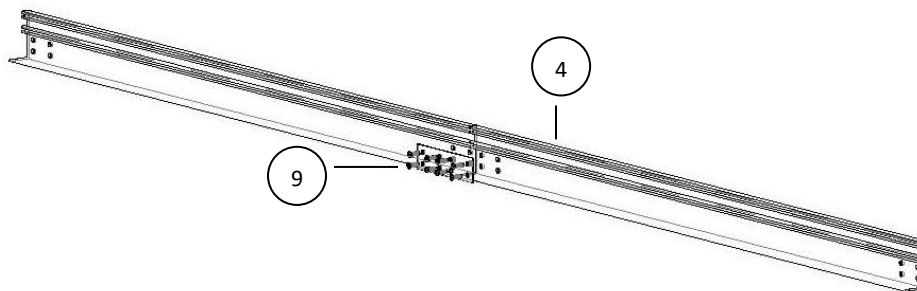


Back view of screen  
and ceiling kit

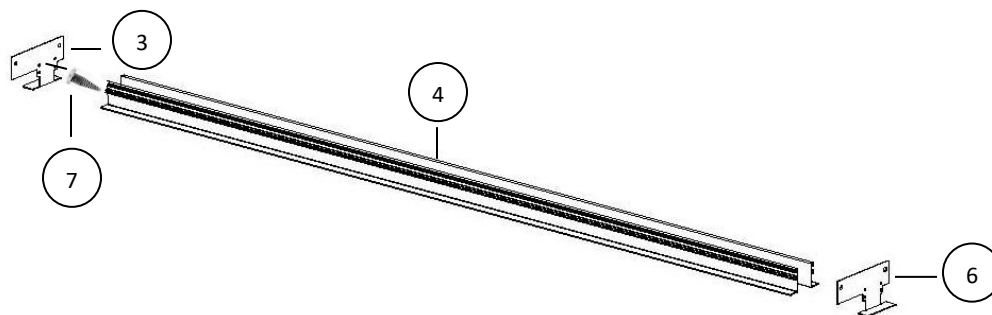
**Step 1:** Install the screen's left and right side end caps into the **Right (2) and Left (5) BRACKETS** and secure them with the **M5 screws (9)** as shown in the diagram below.



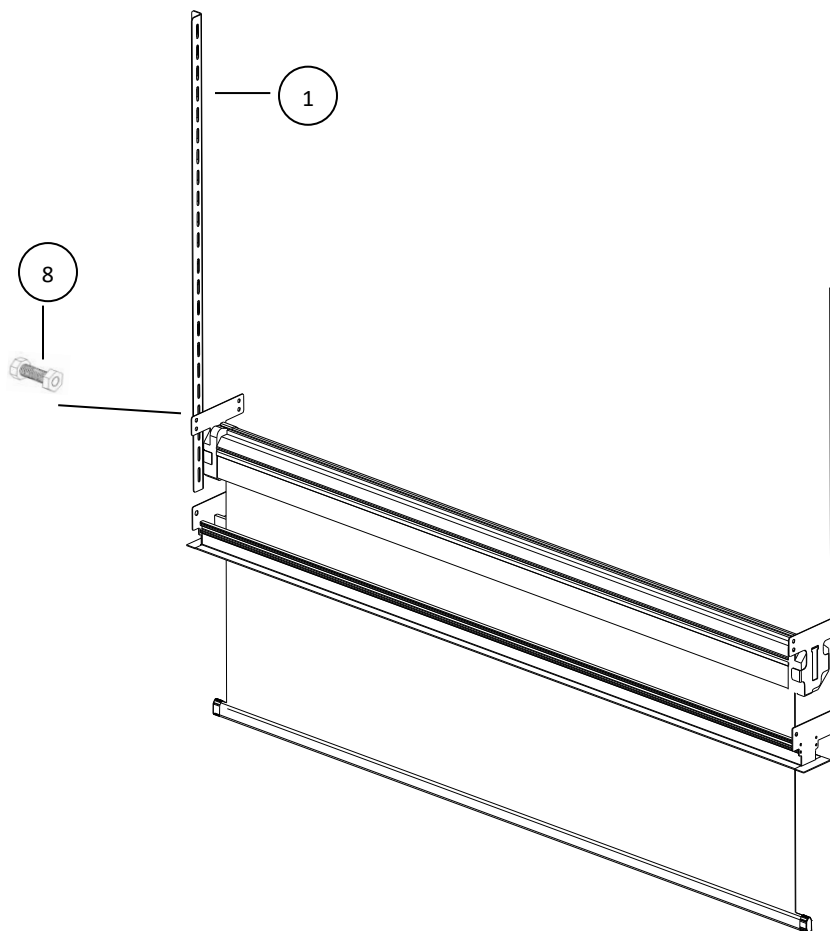
**Step 2:** Join the four **CEILING PANELS** (4) as show below and connect them with together with the **CONNECTION SHEET** (10) using the **M5 screws** (9).



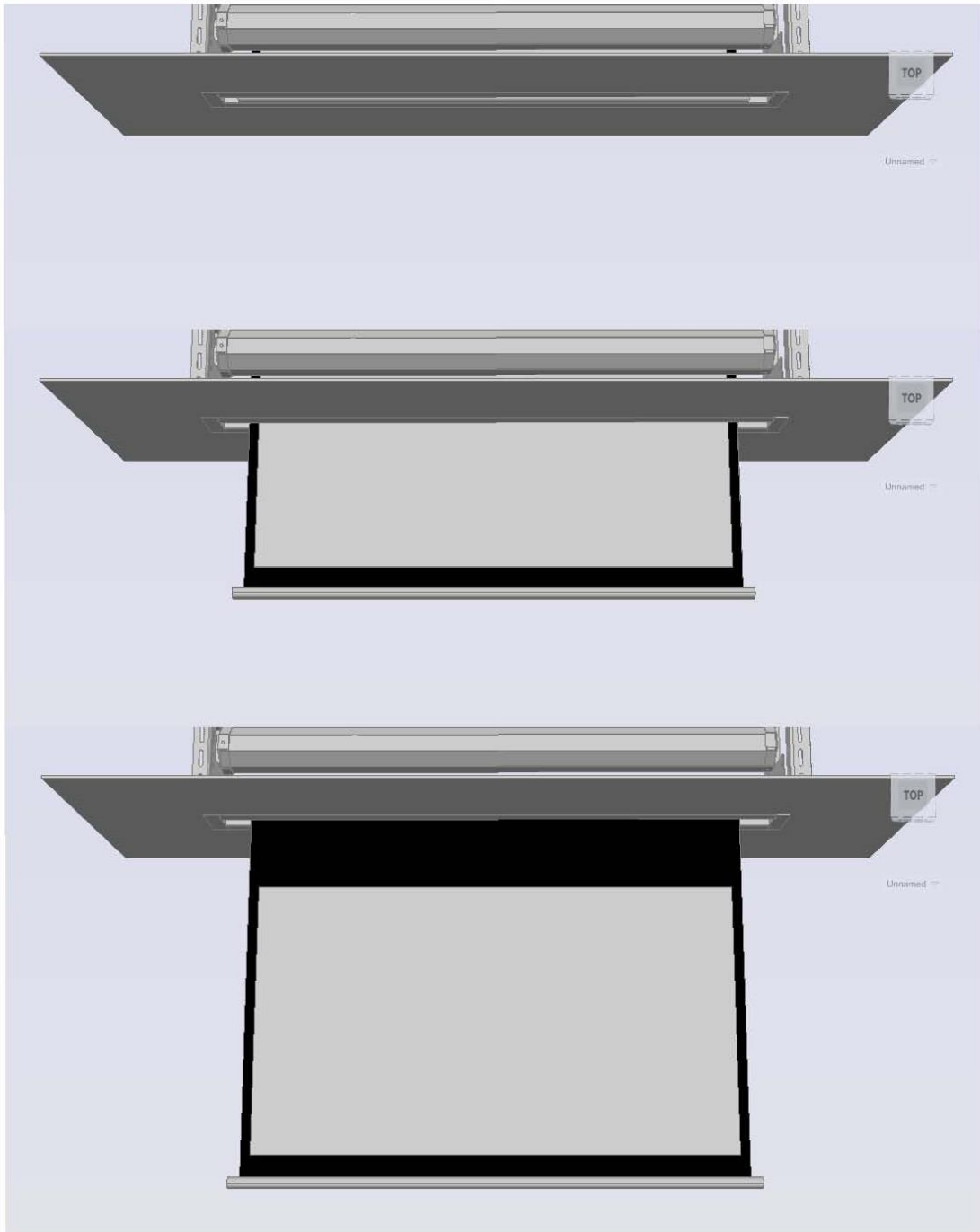
**Step 3:** Attach the **LEFT** (3) and **RIGHT** (6) **PLANK** on each end of the **CEILING PANEL** (4) with the **SELF-DRILLING SCREWS** (7) as shown below.



**Step 4:** Lastly, attach the **SUPPORT BARS** (1) to the **LEFT** and **RIGHT BRACKETS** and **PLANKS** using the **SCREW + NUT** (8) to finish the assembly.



## Example of Ceiling Trim Kit installed



## ZHOME Ceiling Trim Kit Dimensions Table

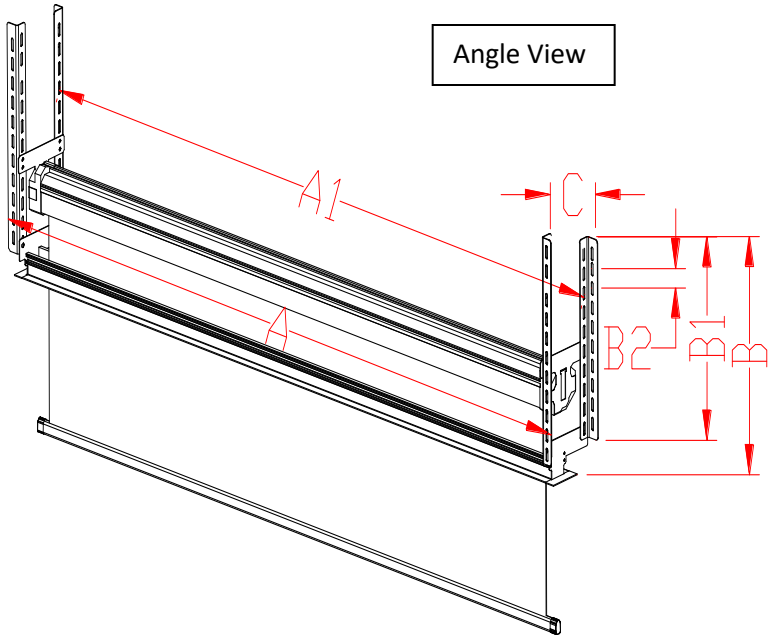
Unit: mm						
Models	Suspension Bars Distance Horizontally (A)	Suspension Bar Hole Distance (A1)	Height from Ceiling Panel to Suspension Bar (B)	Suspension Bar Height (B1)	Suspension Bar Hole Distance (B2)	Distance Between Suspension Bars Vertically (C)
ZHOME80S	1753	1729	960	900	50	177
ZHOME100S	2134	2110	960	900	50	177
ZHOME120S	2489	2465	960	900	50	177
ZHOME135S	2756	2732	960	900	50	177
ZHOME75V	1829	1805	960	900	50	177
ZHOME100V	2362	2338	960	900	50	177
ZHOME120V	2769	2745	960	900	50	177
ZHOME75H	1963	1939	960	900	50	177
ZHOME90H	2297	2273	960	900	50	177
ZHOME100H	2540	2516	960	900	50	177
ZHOME120H	2997	2973	960	900	50	177
ZHOME135H	3327	3303	960	900	50	177

Unit: Inches						
Models	Suspension Bars Distance Horizontally (A)	Suspension Bar Hole Distance (A1)	Height from Ceiling Panel to Suspension Bar (B)	Suspension Bar Height (B1)	Suspension Bar Hole Distance (B2)	Distance Between Suspension Bars Vertically (C)
ZHOME80S	69.0	68.1	37.8	35.4	2.0	7.0
ZHOME100S	84.0	83.1	37.8	35.4	2.0	7.0
ZHOME120S	98.0	97.0	37.8	35.4	2.0	7.0
ZHOME135S	108.5	107.6	37.8	35.4	2.0	7.0
ZHOME75V	72.0	71.1	37.8	35.4	2.0	7.0
ZHOME100V	93.0	92.0	37.8	35.4	2.0	7.0
ZHOME120V	109.0	108.1	37.8	35.4	2.0	7.0
ZHOME75H	77.3	76.3	37.8	35.4	2.0	7.0
ZHOME90H	90.4	89.5	37.8	35.4	2.0	7.0
ZHOME100H	100.0	99.1	37.8	35.4	2.0	7.0
ZHOME120H	118.0	117.0	37.8	35.4	2.0	7.0
ZHOME135H	131.0	130.0	37.8	35.4	2.0	7.0

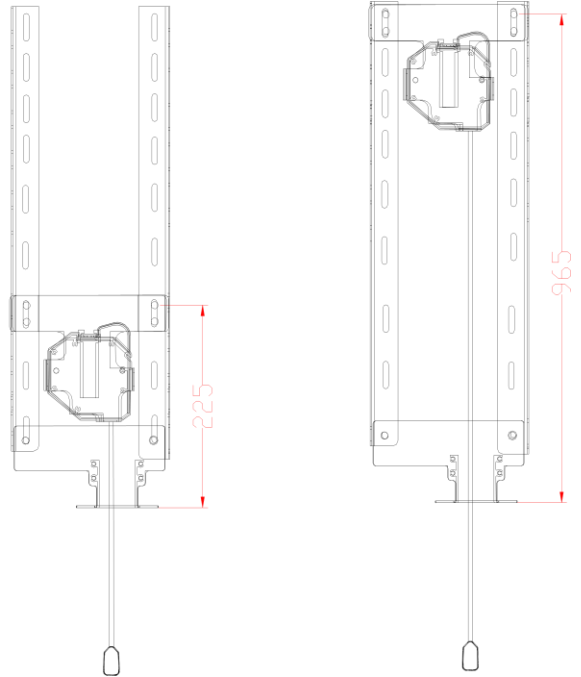
\*Measurement dimensions are intended as a reference only and subject to change without notice

Note: Data Error may be  $\pm 1''$

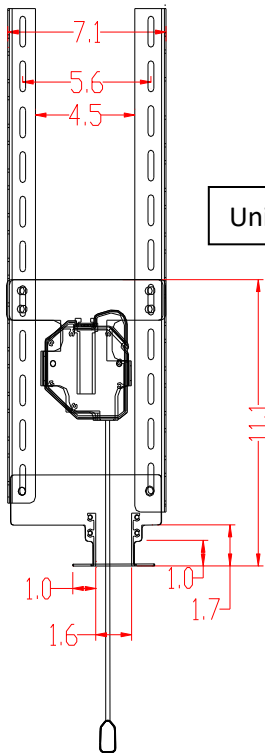
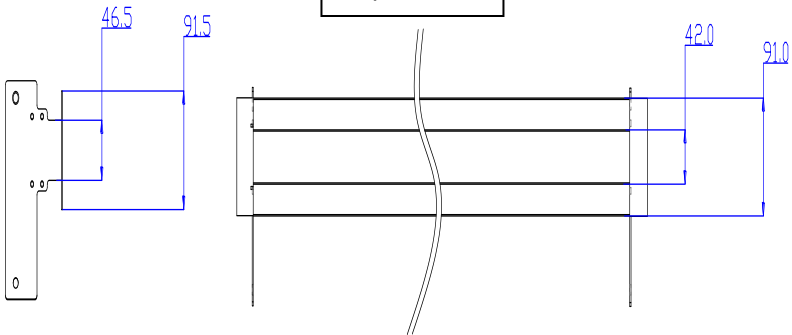
Angle View



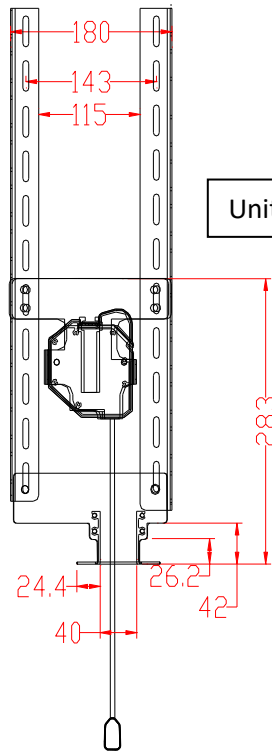
Min. and Max. installation height distance from holding bracket to ceiling panel.  
Unit of measure: mm



Top View



Unit: In.



Unit: mm