



LED Light Kit for EDGE FREE® Frame Screens

Part Numbers: ZLED92/100/110/120/135/150H1

PACKAGE CONTENTS

A. 72w controller x 1 and LED Strip x 2



B. Power Supply



C. Power Cord



D. Remote Control



NOTE: LED kit is compatible **ONLY** with Elite Screens EDGE FREE fixed frame screens.

HOW TO SETUP YOUR LED KIT

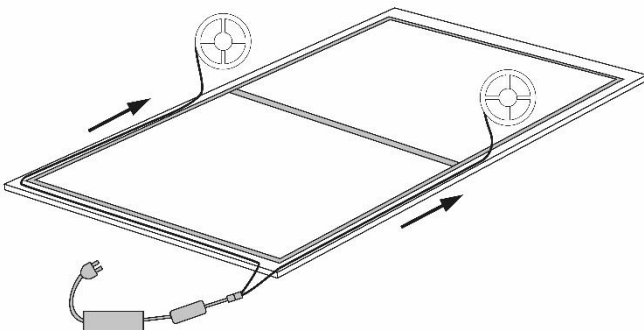
1. Lay Edge Free frame on clean surface back facing up.



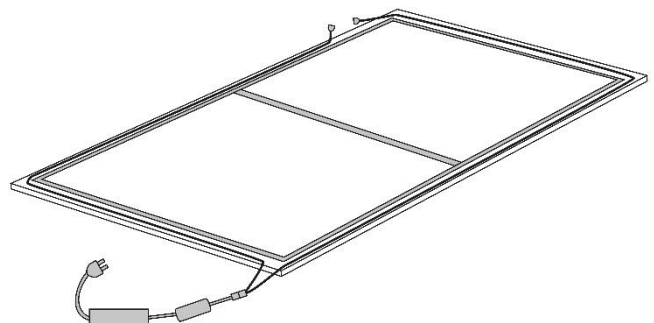
2. Remove self-adhesive backing and Adhere LED Strip all around the rear side edge of Frame as pictured.



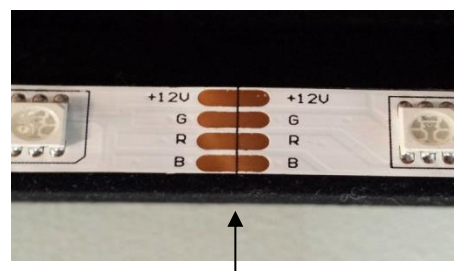
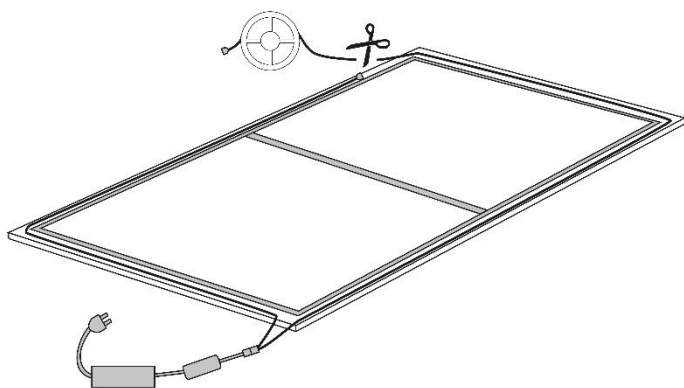
3. When adhering LED Strips, adhere one strip around the frame one direction and the second strip in the other.



*Your end result should look like this.



*After the LED strip has been applied along the entire rear edge of the frame, if there is excess to the LED backlighting strip, you are able to remove any excess backlighting strip by simply cutting the strip along the indicated line. See following images shown:



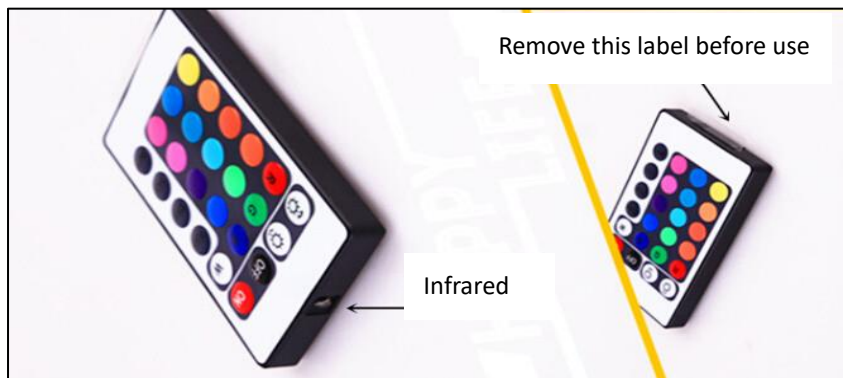
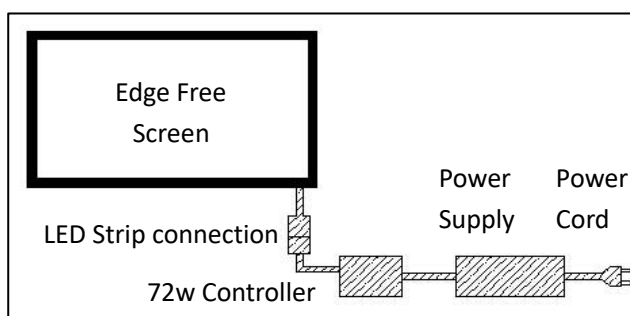
Cut along this line

4. Attach LED kit connections as shown and plug in the power cord into a wall outlet.

1. Plug in 72w controller



1. Plug in power cord



Disclaimer (Warning)

Please be cautious when handling and installing the LED light kit as the sensors are delicate. Avoid any actions that may damage the kit such as bending, stretching, ripping, or stepping on the lights as any damage that occurs with such activities will void the warranty. Elite's LED kit was designed for the sole purpose of being installed onto the back of the edge free frame. Do not use the LED kit for alternative purposes such as, but not limited to; decorative purposes, a primary source of light, installation on other appliances, etc. Any damage that may occur from improper installations will not be covered under the warranty policy.

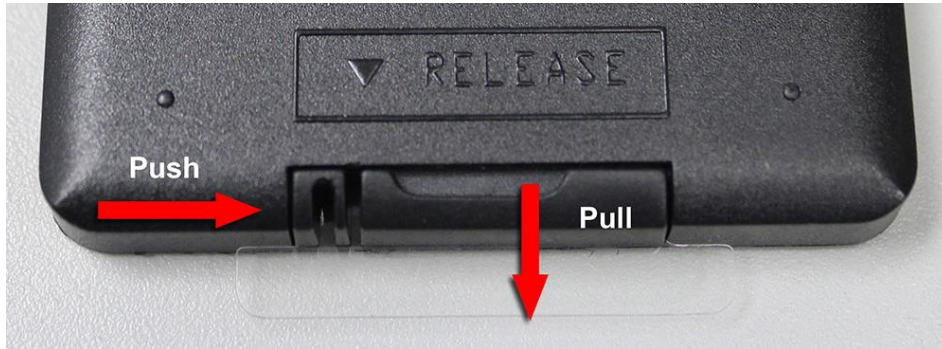


Remote Control Operation

1. Remote Control: Infrared
2. Color Mode: 6 static colors, 6 color flash, 6 color fade, 6 color flash + fade
3. Remote Max Distance: 20 feet (6m)

REPLACING BATTERY ON REMOTE

1. Push the small clip on the back of the remote and at the same time pull compartment out.



2. Replace with new battery (CR 2025) with positive side facing up and insert compartment back to remote.



For a local Elite Screens contact or Technical Support, please visit

www.elitescreens.com