



ELITE SCREENS

# GET THE BIG PICTURE

## **Spectrum Tab-Tension 2 Series**

### Electric Tab-Tensioned Wall/Ceiling Projection Screen

#### User's Guide

#### **Important Safety Precautions**

**Make sure to read this user's guide and follow the procedures below prior to screen operation.**

- Please retain this user's guide for future reference.
- To avoid damaging the unit, do not use with any accessories/trigging sources not recommended or specified by the supplier.
- Handle the unit carefully during transportation to avoid any damages.
- To ensure safe and reliable operation, direct connection to a` properly grounded power source is advised.
- The power outlet supplying power to the unit should be close to the unit and easily accessible.
- Do not install the unit on uneven or inclined surfaces.
- Do not hang any objects on the power cord and position the cord properly to avoid tripping over it.
- Never overload the power cord to prevent an electric shock or fire due to a loose contact or a short circuit.
- There are no user serviceable parts in this unit. Do not attempt to disassemble this unit by yourself. No one except authorized technicians can open the casing and make repairs to this unit.
- Make sure that the power source this unit is connected to has a continuous power flow.
- If there is need for use of an extension cord, make sure the cord has an equal rating as the electrical device to avoid overheat.
- Do not handle the power cord when your hands are wet or your feet are in contact with water.
- Unplug the power cord during extreme weather conditions such as heavy rain, gusty winds, thunder or lightning.
- Avoid direct Sunlight, moisture/rain to this unit.
- Do not mount near high temperature environments to prevent this device from overheating.
- Cut off the power supply first before transportation or maintenance.
- Fully disconnect from the power supply when the unit is not in use for a long period of time, as should be done with any other electrical household appliance.
- To avoid possible injury and/or an electric shock, do not attempt to use the screen if there is obvious damage or if there are any evident broken parts.

## **WARNING**

The screen's deployment is already set from the factory to drop to its maximum distance. There is NO extra black masking on the roller to allow for a lower drop. Please be aware of this as making adjustments to the screen's limit motor will void your warranty if the motor becomes faulty. Unapproved changes or modifications (except for cutting the power cord for hardwire installations) to this unit are prohibited and will void your warranty. For more information, please contact our Technical Support Department at [techsupport@elitescreens.com](mailto:techsupport@elitescreens.com)

**NOTE:** This equipment has been tested and found to comply with the limits for a Class B digital device, pursuant to Part 15 of the FCC Rules.

These limits are designed to provide reasonable protection against harmful interference in a residential installation. This equipment generates and can radiate radio frequency energy and, if not installed and used in accordance with the instructions, may cause harmful interference to radio communications.

However, there is no guarantee that the interference will not occur on a particular installation. If this equipment causes harmful interference to radio or television reception, which can be determined by turning the equipment off and on, the user is encouraged to try to correct the interference by one or more of the following measures.

- ✓ **Reorient or relocate the receiving antenna of the device which may be causing the interference.**
- ✓ **Increase the separation between the screen and the device's receiver.**
- ✓ **Connect the equipment into a different power outlet other than the device.**

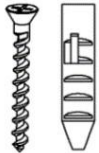

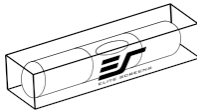
## **Pre-Installation**

1. Carefully unpack the screen.
2. Always handle the screen in a leveled position on a clean surface.
3. In order to protect the screen's viewing surface, do not allow contact with foreign objects such as dust, writing utensils, liquids, etc.

## **Note:**

*Wall screws included with this product are complementary and may not be adequate for all mounting surfaces. Consult with a professional installer or hardware store for proper mounting screws and anchors.*

*Regardless of the mounting method, the screen should be securely supported so that the vibration or pulling on the viewing surface will not cause the casing to become loose from the wall and fall to the ground. The installer must ensure that the fasteners used are of adequate strength and suitable for the installation location.*

<b>Hardware Parts List</b>		
A. Big Screw/Washer Anchor x 4 (for mounting screen)	B. Small Screw/Washer Anchor x 4 (for mounting wall switch box)	C. Bubble Leveler x 1
		

## Installation

### A. Wall Mount (flushed):

1. **Measure distance A** (Fig. 1) between the 2 holes on the backside of both end caps with a measuring tape. Mark and then drill the two screw holes on the wall. (**Note: Ensure the screen will be in perfect level alignment before drilling the screw holes.**)
2. Insert wall anchors into the two drilled holes on the wall and then insert the screws into the anchors leaving the screw head to stick out of the anchor by at least a 1/8" (see Fig. 2).
3. After hanging the screen on to the affixed screws, use the provided bubble leveler to ensure for a levelled installation (see Fig. 3).

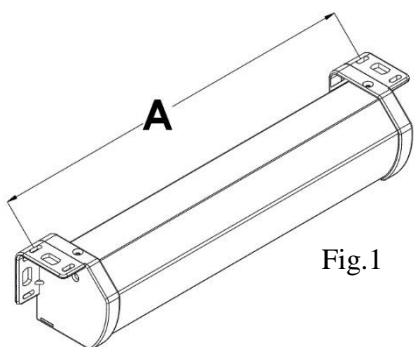


Fig.1

The screw head should be at least 1/8" away from the wall.

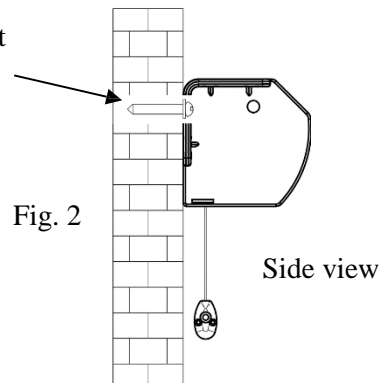


Fig. 2

Side view

1. If the bubble runs to the right side, the screen is not balanced.



2. If the bubble is in the center, the screen is balanced.

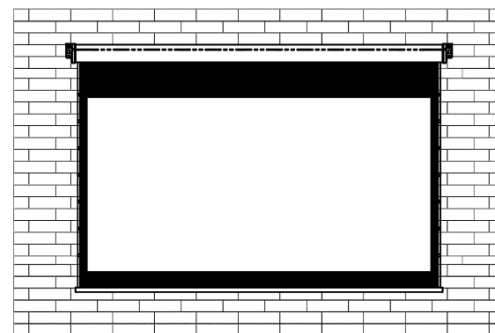


Fig.3

### B. Ceiling Mount (suspended):

#### Hardware required (not included): eye bolt, chains, snap link

1. **Measure distance B** (shown in Fig. 4) between the **loop holes** on both end caps with a measuring tape.
2. Mark, drill screw holes on the ceiling and install eye bolts on the ceiling (see Fig. 5).
3. Attach the chains to the eye bolts, attach a snap link to the chain and then to the loops on the screen (Fig. 5).
4. After hanging the screen, use the provided bubble leveler to ensure for a leveled installation

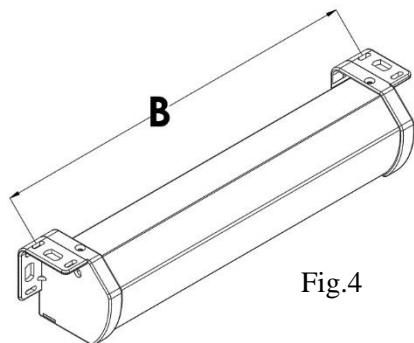


Fig.4

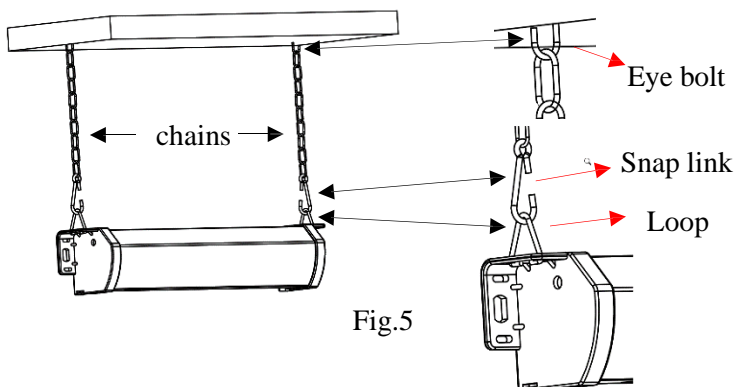
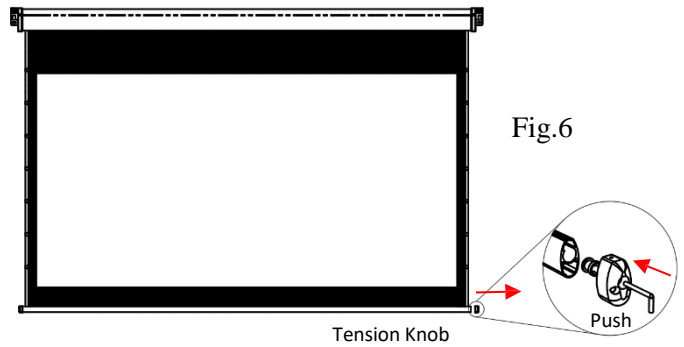


Fig.5

## Screen material tension adjustment (4mm Allen Wrench required and not included)

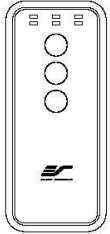
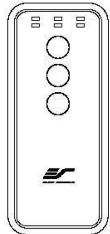

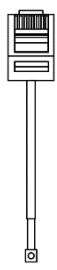
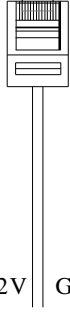
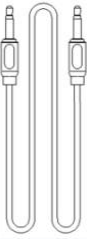
Remove the weight bar end cap to expose the adjustment tension knob (see Fig. 7). Insert your 4mm Allen Wrench to push in the adjustment tension knob, turn clockwise and your screen will gain more tension. Turn the Allen Wrench counter clockwise and the screen will lose tension. Please note this adjustment is not necessary as the tension of the screen has been preset by the factory for best performance. Please contact Elite Screens for assistance to avoid damaging the screen and voiding your warranty at [techsupport@elitescreens.com](mailto:techsupport@elitescreens.com).



## Screen operation

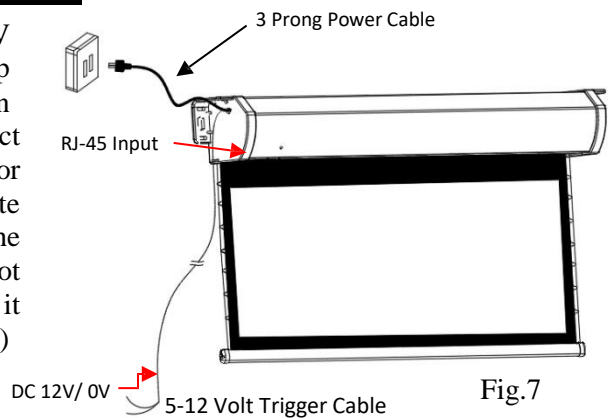
**Electric Current:** The screen operates on AC120V @ 60hz / .85 A

1. Plug the screen's power cord into a power outlet.
2. Once the screen's has power, you'll be able to control it using any of the 3 methods described below

Accessories included for Spectrum Tab-Tension 2 Series					
A. Infrared (IR) Remote x 1	B. Radio Frequency (RF) Remote x 1	C. Wall box switch x 1	D. IR "Eye" Receiver x 1	E. 5-12 Volt Trigger Cable x 1	F. Wireless 5-12 Volt Projector Trigger Cable x 1
				 Red 12V   Green 0V	

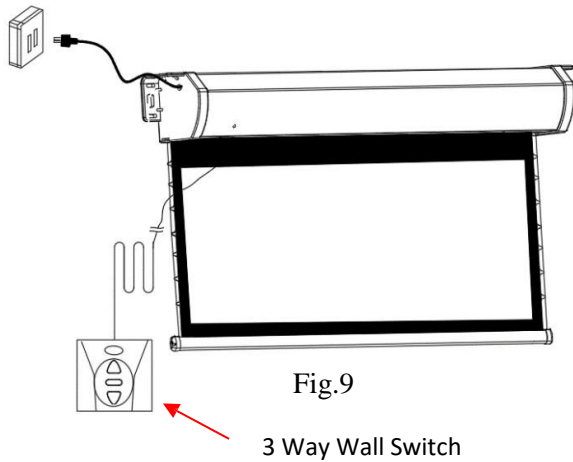
## Control System for Spectrum Tab Tension Series

**1. 5-12V Trigger (Item E, Fig. 7):** The built-in 5-12V trigger input allows your screen to synchronize its drop & rise with the projector's triggering output. The screen deploys when the projector powers up and will retract when the projector powers down. The 5-12 volt adaptor connects to your projector's trigger output via a separate cable that may or may not be provided by the manufacturer of the projector. The trigger feature will not work without an output cable from the projector, but it can be tested by connecting the Red (+) and Green (-) cable to a 9-volt battery.

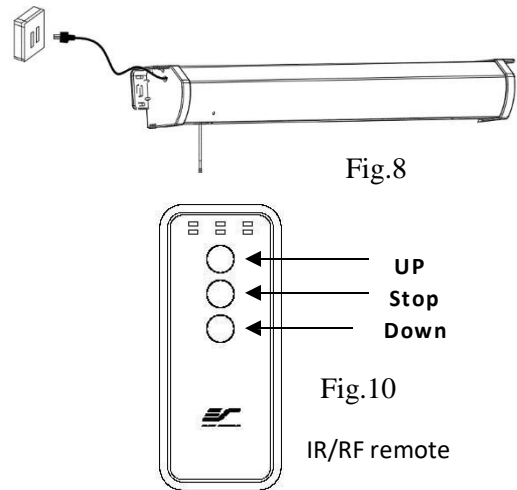


**2. IR "Eye" Receiver (Item D, Fig. 8):** The IR "Eye" Receiver plugs directly into the screen's RJ-45 input to present a low profile line-of-sight control option for your IR remote control even in a recessed ceiling installation.

**3. 3-Way Wall Switch (Item C, Fig. 9):** The 3-way wall switch is a wall mount control box with an up/stop/down button and plugs directly into the screen's RJ45 input.

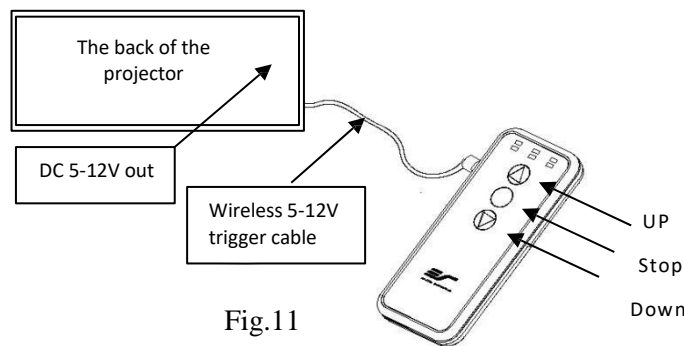


**4. IR Remote Control (Item A, Fig. 12):** The Infrared functions by direct line of sight contact with a beam range of 30 feet.



**5. RF Remote Control (Item B, Fig. 10):** The radio waves eliminate the need for a direct line of sight with a range of 100 feet.

**6. Wireless 5-12 Volt Trigger (Item F, Fig. 11):** The RF remote control serves as a dual purpose, independently as a handheld remote control, or in conjunction with the Wireless 5-12 volt trigger cable. The radio frequency technology can be programmed to send a wireless signal to synchronize its drop & rise with the projector's power cycle.



**For more information, technical support or your local Elite Screens contact, please visit [www.elitescreens.com](http://www.elitescreens.com)**