



ELITE SCREENS

Insta-DE Series

Soft-padded Dry-erase Whiteboard Projection Screen

User's Guide

Product Features

- Award winning and GREENGUARD certified VersaWhite material.
- 1.1 gain with 180 degree wide viewing angle.
- Special anti-scratch layer to ensure long use as a dry-erase projection screen.

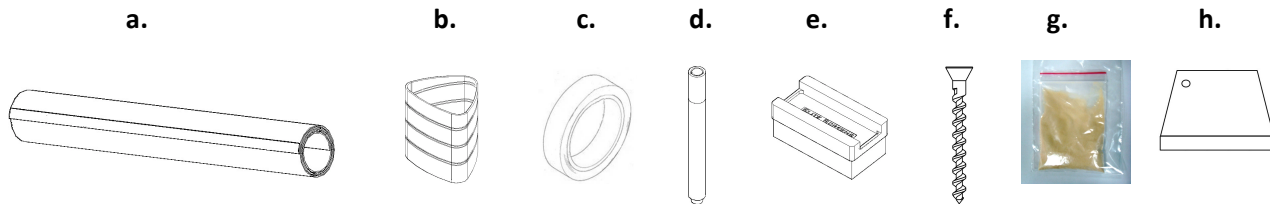


Application Advantages

- Instantly converts flat surfaces/walls into a dry-erase whiteboard projection screen.
- Includes dry-erase pens, eraser, and pen holder.
- Perfect dry-erase and projection solution for today's short throw projectors.
- Ideal and effective instructional presentation tool in the classroom, boardroom, and training facilities.

What's in the package

Please make sure all parts listed below are included. If anything is missing please contact us immediately.



Notes:

1. For best results and maximum product longevity, **ONLY** use Elite Screens high density whiteboard Eraser
2. Please use a microfiber cloth and clean water to cleanse the surface every 2-4 weeks to maintain a fresh and clean projection surface.

Model Number(s)	Tape Qty	Powder Qty
iWB63VW	2	1
iWB84VW/iWB95XW/ iWB102HW/iWB4x10HW	2	1
iWB4x20HW	3	2
iWB4x30HW	3	3

Parts List	Qty
a. Insta-DE Screen Material	1
b. Pen Holder	1
c. Double-sided tape rolls	See table below
d. Whiteboard markers	2
e. Elite special high density eraser	2
f. 4.5mmx30mm Screw	1
g. Powder Compound	See table below
h. Smoothing Tool	1

Tools Required (not included):

Carpenter's Pencil



Measuring Tape



Shop towels



Roller cover and frame



Paint Tray



150 grit sandpaper



Dust mask



Safety goggles



R-35 Primer



Pre-Installation Notice:

The Insta-DE product is to be solely installed on flat surfaces. Prepare the flat wall/surface by cleaning the entire area. Do not install if any imperfections are found on the surface such as drilled holes, glue/tape residue, dents, etc. We recommend sanding the area first to make sure you have a clean flat and smooth surface. Failure to remove such imperfections can damage the product. The dry erase function of this product requires a smooth writeable surface and Elite Screens is not responsible should these instructions are not be properly followed.

Take the Insta-DE Screen out of the package, unroll it on a clean surface and lay it on its front side. Before applying the Insta-DE, the application surface must be dry, clean, smooth, and structurally sound.

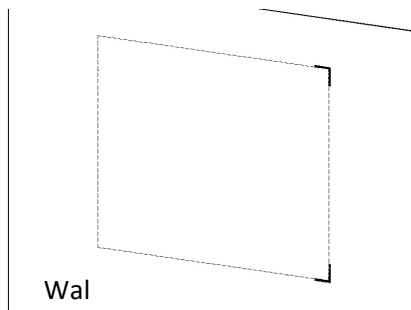
1. *Clean the surface to remove any dirt, grease, and wax.*
2. *Fill any depressions or holes with a drywall compound*
3. *Use sandpaper to smooth any bumps and blemishes. Sand until the surface is completely flat.*
4. *Level-5 finish to the surface and apply one coat of Professional R-35 primer*

The warranty of this product will be voided if any bubbling occurs due to the use of an after-market spray adhesive or if the screen was applied on to a textured wall.

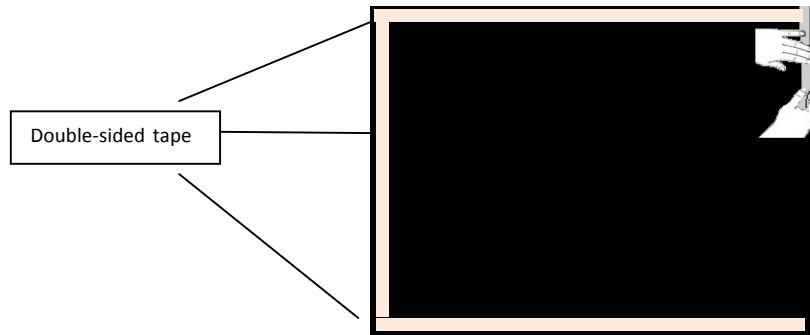
Installation

Double Sided Tape Installation- Only use this method for models iWB63VW/iWB84VW/iWB95XW. For sizes larger sizes, refer to the glue powder compound method detailed on page 4.

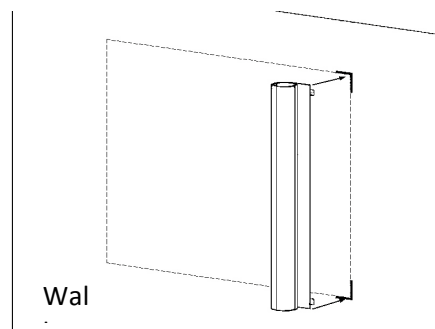
1. Clean the location where the **Insta-DE Screen** will be installed.
2. Measure and mark the top-right and bottom-right corner of the installation location



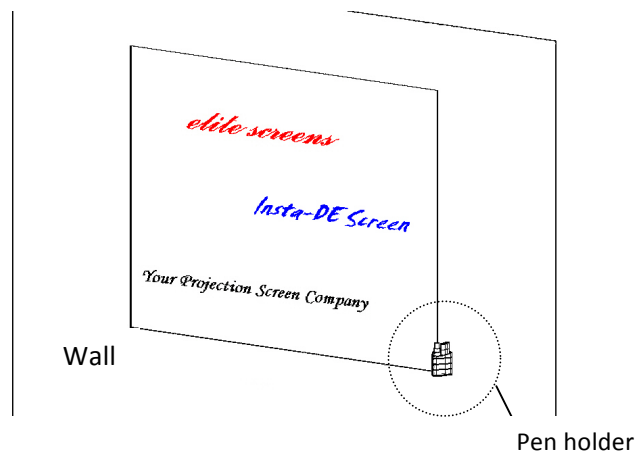
3. Apply double-sided film tape all around the edges of the Insta-DE back padding.



4. Completely peel the entire left side (back) vertical tape strip and peel off a 1-inch length tape film on the rest of the tape strips.
5. Attach the Insta-DE Screen to the top-right and bottom-right corner of the installation location.



6. Remove the tape film on the horizontal sides while unrolling the material and firmly attach to the taping line with pressure.
7. Continue attaching the double-sided adhesive tape until you've reached the end.
8. Lastly, remove the entire vertical tape strip at the end, line up with the tape line to complete the installation.



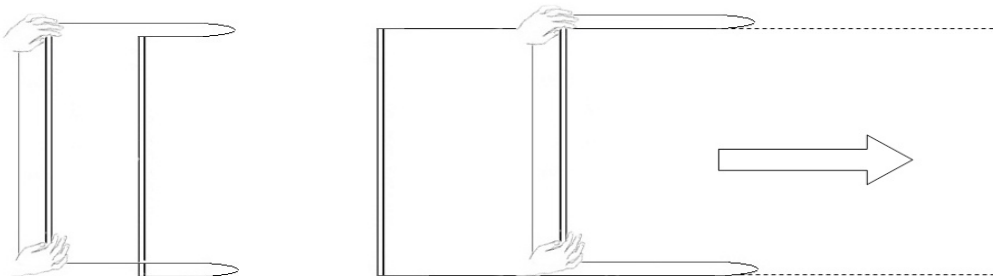
Glue Powder Compound Method for models iWB102HW/iWB4x10HW/iWB4x20HW/iWB4x30HW

We strongly recommend two or more people for this installation.

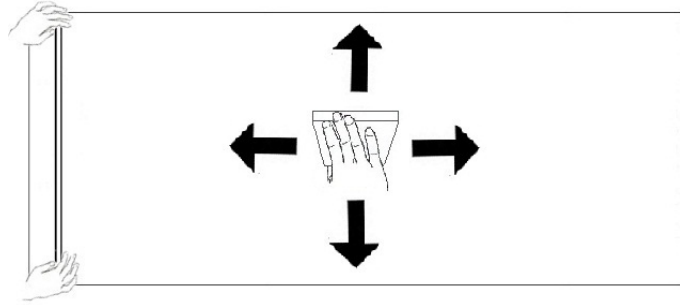
1. Smoothen the entire surface of the wall with sandpaper.
2. Clean the entire surface with a wet sponge or lint-free towel to remove any dust left from sanding the wall.
3. Measure and outline the screen installation area.



4. Apply the included double-sided tap over the line. Do not remove the top film of the tape.
5. Pour an entire powder bag into a paint bucket filled with 25 oz. of room temperature water and stir until all lumps are gone and the compound has a syrup texture. This will make the mixture into an adhesive compound for sticking the film to the wall.
Note: Once the compound has been mixed, it must be applied within 4 hours to ensure a sealed installation of the Insta-DE to the wall. Use one bag for every 25 oz. of water.
6. Pour the mixture into a paint tray and dip the roller.
7. Evenly apply a thin coat of adhesive to the surface evenly with a paint roller.
8. Wait for the adhesive to dry.
9. Sand the surface until no adhesive residue remains.
10. Apply one coat of Professional R-35 Primer (do not allow it to dry) and immediately apply the Insta-DE to the wall.
11. Unroll the Insta-DE on to the wall lining it up with the drawn line from Step 1.
Note : Do not allow the material to wrinkle or crease to avoid permanent damage.



12. Flatten the surface with a flexible wall smoothing tool in a 45 degree angle to avoid scratching the surface.



Caution: The smoothing tool's edge is sharp. Carefully scrape the screen when removing air bubbles to avoid scratching the surface.

13. Lift edges and smoothen out any remaining air bubbles.

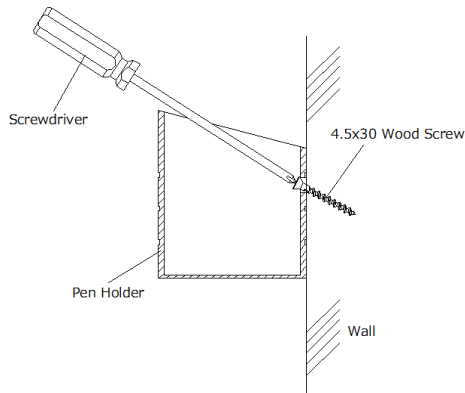
14. Peel off the top layer of the double-sided tape and flatten the screen's edges with the smoothing tool.

15. Use a soft damp towel or sponge to clean entire surface.

Pen holder installation

Method one: Peel the tape strip off the back of the pen holder and attach the pen holder to the wall or your preferred location.

Method two: Install the included screw in the wall and hang the pen-holder. See diagram below for details.



Caution:

The double-sided tape is meant to be permanent for the life of the product. It does not remove easily. Please attach very carefully to avoid having to remove the product and positioning it in a different location.

Use only the included erasers to remove and erase dry-erase markings. For a deep clean, we recommend using a non-alcohol based dry-erase board cleaner with a soft microfiber cloth.

Elite offers a replacement kit (**part number ZER3**), which includes:

- 1 x bottle of 8.45 oz cleaning solution
- 1 x microfiber cloth
- 2 x high density foam erasers
- 2 x sets of dry-erase markers (4 total)

For more information visit www.elitescreens.com/zer3

Contact your reseller or visit shop.elitescreens.com for pricing and purchase.



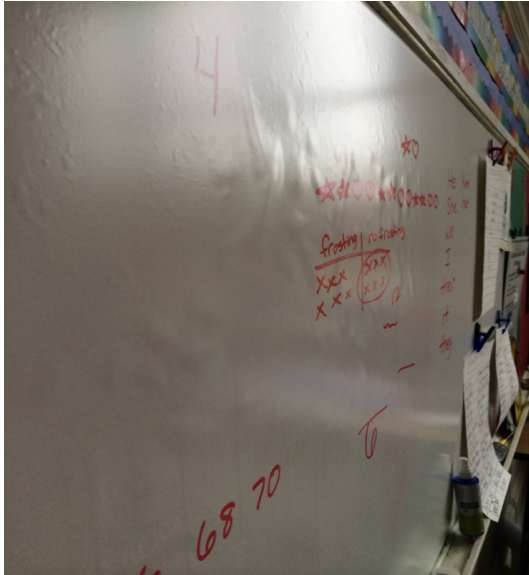
Safety Precautions:

- A. Avoid using sharp objects directly on the screen which can result in permanently damaging the product and voiding your warranty.
- B. Creases or wrinkles caused by improper installation are not removable.

Attention: Prior to installation, please view the following on-line video found at this link for your reference →

www.elitescreens.com/ide2install (Same method for Insta-DE)

Below are sample pictures of improper installations.



The above pictures are the result of improper installations.

For more information, technical support or your local Elite Screens contact,

please visit www.elitescreens.com