



ZOMS2-LEGS

Yard Master 2 Extension Legs

Quick Guide

Visit www.elitescreens.com for latest updated version.

Thank you for choosing the Extension Legs accessory for your Yard Master 2 portable projection screen! Please read through this user guide before utilizing the accessory. Correct usage and maintenance will ensure a long product life

Care & Use Instructions

- ◆ After using the extension legs, disassemble and store them in a safe and secure location.

NOTE: Extension Legs will NOT fit in carrying bag supplied with the Yard Master 2 Series.

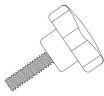






- ◆ To avoid damage and injury, the screen and extension legs should only be operated by adults.

Product Description

Design: The aluminum frame is designed to be lightweight and easy to carry, assemble and disassemble.

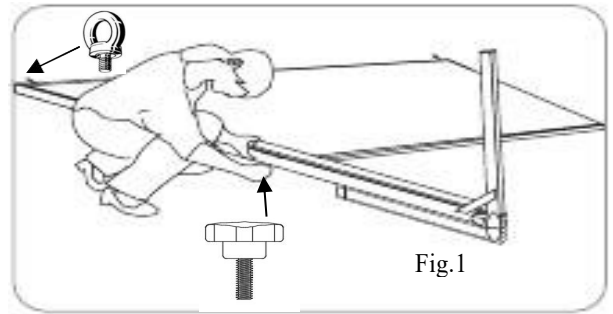
Replacing the Yard Master 2 legs

To replace your current legs with the new extension legs on your assembled screen, please follow the disassembly steps on **page 2**. If the legs on your screen are already removed, proceed with the assembly steps starting below. For full assembly instructions on your screen, please refer to the Yard Master 2 Series User Guide. **Hardware and Parts List**

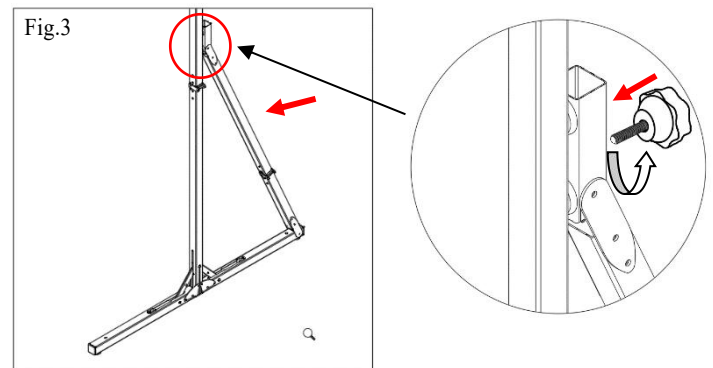
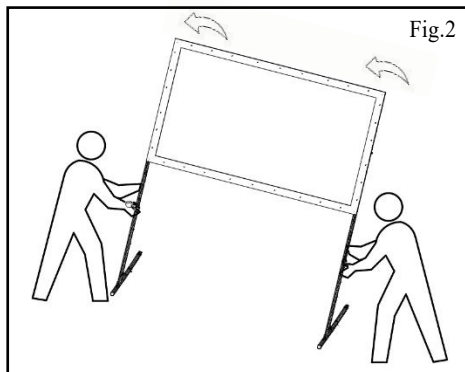
<p>A. Large Knob Screw x2</p> 	<p>B. Left/Right folding legs x2</p> 	<p>C. Rope x2</p> 
<p>D. Eyebolt x2</p> 	<p>E. Ground Stakes x4</p> 	<p>F. Small Knob Screw x2</p> 
		<p>G. Carrying Bag x1</p> 

Assembly

1. After the initial assembly of the screen frame, insert the extension legs into the openings located at the left and right bottom sides of the folding frame. Secure them by fastening the knob screw into the adjacent hole. Next, screw the eyebolts into the openings located at the top of the frame (**Fig.1**).



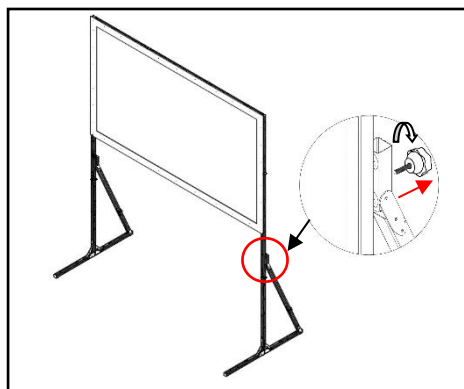
2. Next, lift the screen up while simultaneously opening the frame legs. Ensure the legs are locked in place by pressing down on the hinges near the bottom-center of each leg. Two people are needed for this step. (**Fig.2**)
3. Slowly lift the additional back-leg and connect it using the knob screw as shown on **Fig.3**.



4. Lastly, make sure your screen is secure and stable. Make any adjustments if needed. The installation is now complete. *Note: Refer to Yard Master 2 User Guide for additional steps on securing your screen.*

Disassembly

1. Remove ropes and stakes from the ground, if needed, then unlatch the hinged support bars on the front side of each leg so that it is bent. Fold half of the legs up for the next step.



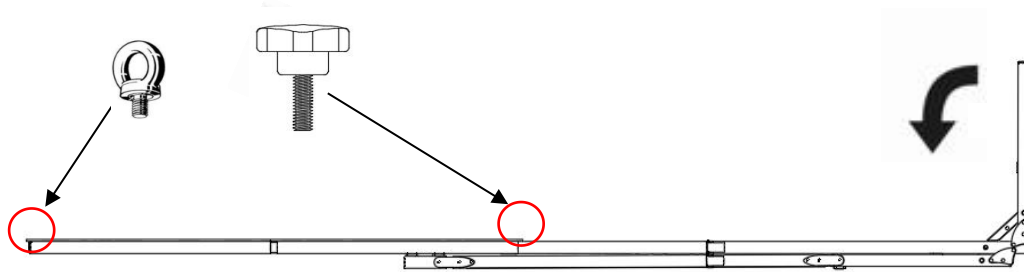
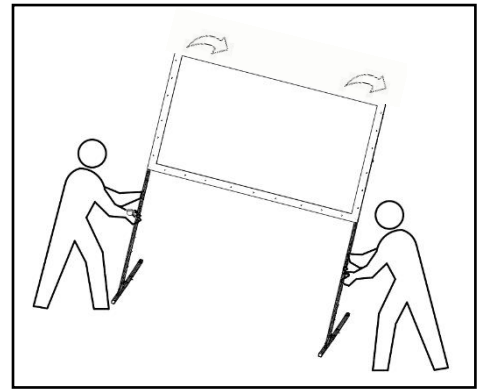
2. Slowly lower the screen to the ground (towards the closed legs).

Two people are needed for this step.

3. Unlatch the hinged support bars and fold down other half of the legs.

Remove knob screws before proceeding.

4. Remove the legs from the folding frame. To continue with disassembly of your screen, refer to the full user guide.



NOTE:

- All other accessories, except for extension legs, are supplied with the Yard Master 2 Series when purchased separately.
- See Yard Master 2 Series User Guide for full assembly instructions of the screen.

For a local Elite Screens contact or Technical Support, please visit

www.elitescreens.com