



## Spectrum 2 Series

### Electric Motorized Projection Screen

#### User's Guide – V1.1

Visit [www.elitescreens.com](http://www.elitescreens.com) for latest updated version.

### **Important Safety & Warning Precautions**

**Make sure to read this user's guide and follow the procedure below.**

**Caution: The screen's Black Top Drop is already set to its maximum drop distance. There is NO extra Black Top Drop in the roller. Please be aware of this as it will void your warranty with Elite Screens. Unapproved changes or modifications (except for cutting the power cord for hardwire installations) to this unit are prohibited and will void your warranty. For more information, please visit our website for Technical Support.**

- Please retain this user's guide for future reference.
- To avoid damaging the unit, do not use it with any unauthorized accessories not recommended by the supplier.
- Handle the unit carefully during transportation to avoid any damage.
- To ensure safe and reliable operation, direct connection to a properly grounded power source is advised.
- The power outlet supplying power to the unit should be close to the unit and easily accessible.
- Do not install the unit on uneven or inclined surfaces.
- Do not put heavy objects on the power cord and position it properly to avoid creating a trip obstacle.
- Never overload the power cord to prevent an electric shock or fire due to a loose contact or a short circuit.
- There are not user serviceable parts in this unit. Do not attempt to disassemble this unit by yourself. No one except authorized technicians can open and make repairs to this unit.
- Make sure the power source this unit is connected to has a continuous power flow.
- If there is need to use an extension cord, make sure the cord has an equal rating as the appliance to avoid overheating.
- Do not handle the power plug when your hands are wet, or your feet are in contact with water.

#### **Do not use this unit under the following circumstances.**

- Disconnect the power cord under the conditions of heavy rain, wind, thunder, or lightning.
- Avoid direct Sunshine, rain shower and moisture.
- Keep away from fire sources and high temperatures to prevent this device from overheating.
- Cut off the power supply first before transportation or maintenance.
- Fully disconnect from the power supply when the unit is not in use for a long period of time, as should be done with any other electric household appliance.
- To avoid possible injury and/or an electric shock, do not attempt to use the screen if there is obvious damage or if there are any evident broken parts.

### **Installation Warning**

**Due to various installation environments, the instructions provided in this user's guide are for reference only. Please consult a professional installation company for further installation and safety advice. The installer must ensure that proper mounting hardware is used to provide adequate strength suitable for the installation. Elite Screens is not liable for any faulty installations.**

Individual modifications to this product are prohibited and will void the warranty with the supplier. Please contact Elite Screens Customer Service for any questions.

**NOTE:** This equipment has been tested and found to comply with the limits for a Class B digital device, pursuant to Part 15 of the FCC Rules.

These limits are designed to provide reasonable protection against harmful interference in a residential installation. This equipment generates and can radiate radio frequency energy and, if not installed and used in accordance with the instructions, may cause harmful interference to radio communications.

However, there is no guarantee that the interference will not occur on a particular installation. If this equipment causes harmful interference to radio or television reception, which can be determined by turning the equipment off and on, the user is encouraged to try to correct the interference by one or more of the following measures.

- ✓ **Reorient or relocate the receiving antenna of the device which may be causing interference.**
- ✓ **Increase the separation between the screen and the device's receiver.**
- ✓ **Connect the equipment to a different power outlet other than the device.**

### Pre-Installation

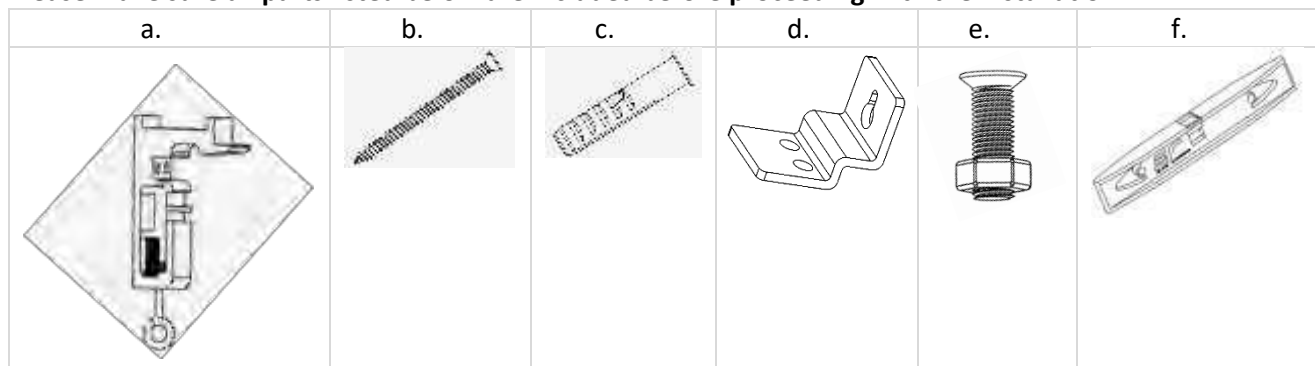
1. Carefully unpack the screen.
2. Always handle the screen in a level position on a clean surface.
3. In order to protect the screen from exposure to stains, keep the screen out of contact with foreign particles such as dust, sawdust, and/or liquids.

### NOTE

Regardless of the mounting method, the screen should be securely supported so that the vibration or pulling on the viewing surface will not cause the casing to become loose or fall. The installer must ensure that the fasteners used are of adequate strength and suitable for the installation location.

### Hardware Parts List for the Spectrum 2 Series

Please make sure all parts listed below are included before proceeding with the installation.



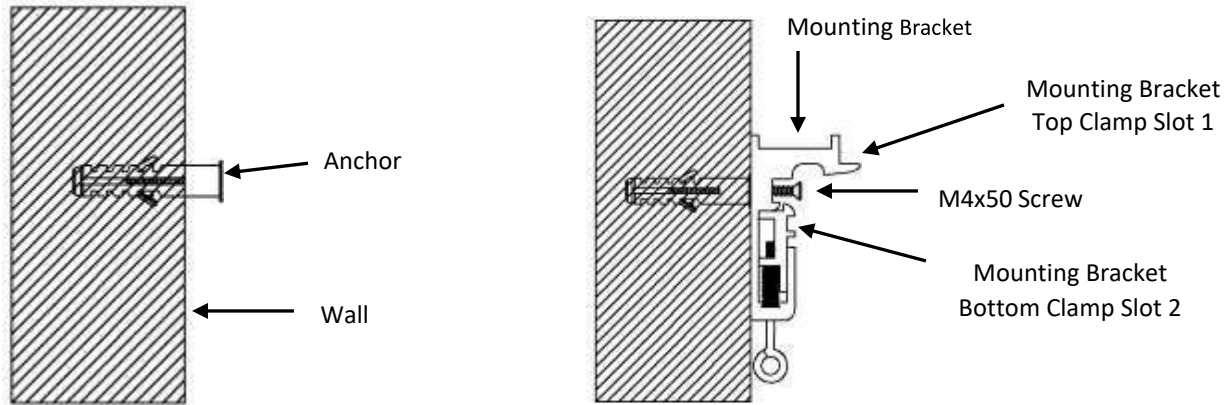
Hardware Parts List		QTY
a. Mounting Bracket		2
b. M4x50 Screw		4
c. M10 Anchor		4
d. Suspended Ceiling Bracket Connector		2
e. M5x15 Screw & Bolt		4
f. Bubble Leveler		1

# Installation Instructions

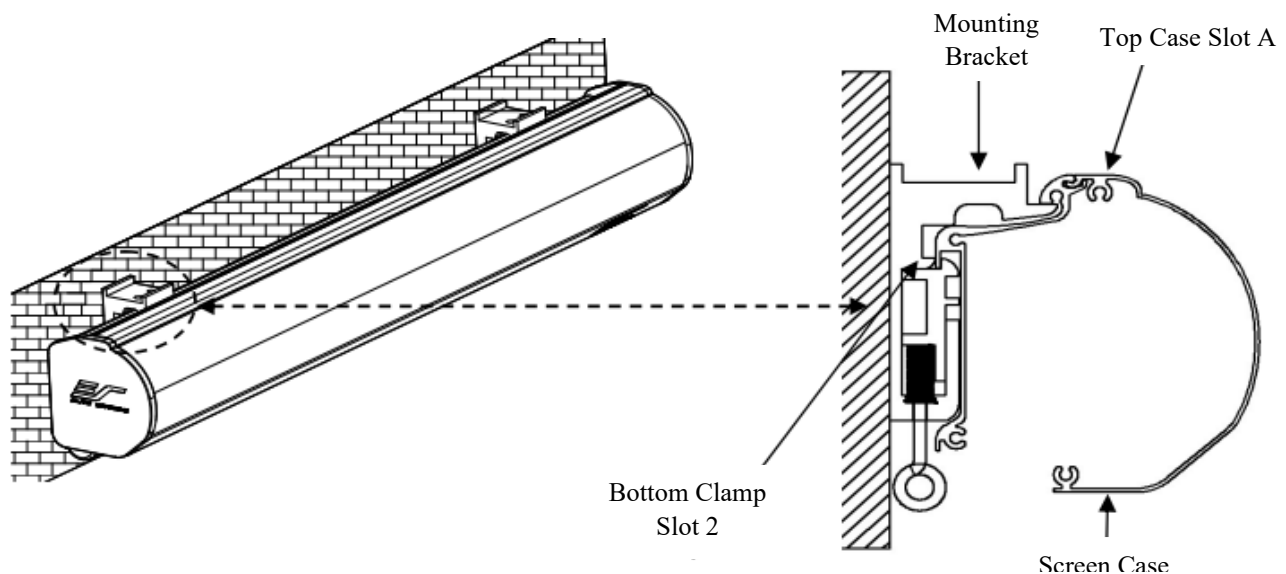
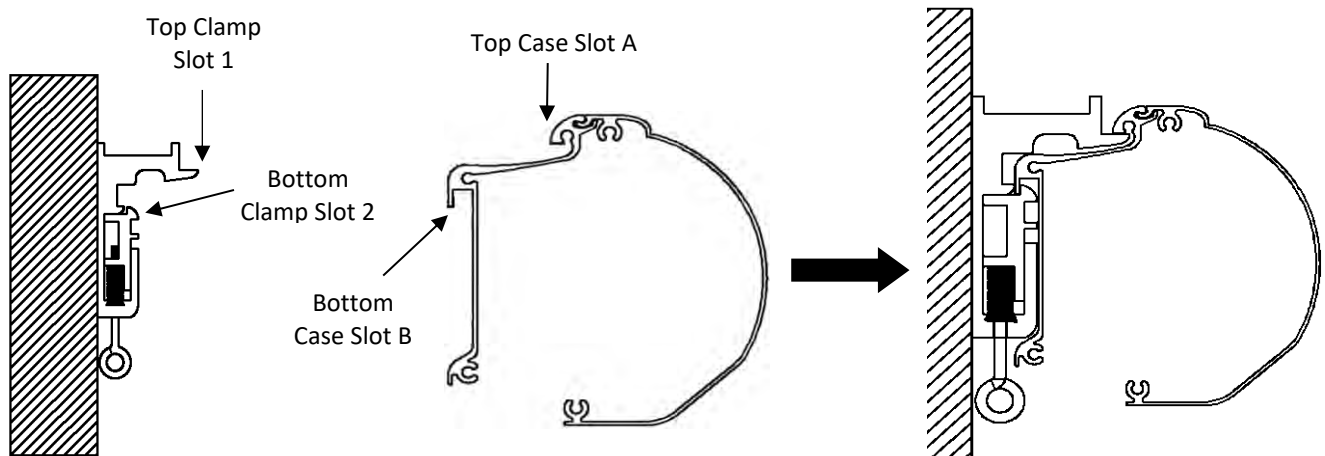
Please consult a professional installer. Elite Screens is not liable for faulty installations.

## Flush Mount to the Wall

1. Mark the location of where the screen is to be installed, drill your holes, and insert the **M10 Anchors** (c).
2. Install the **Mounting Brackets** (a) on the wall and secure with the **M4x50 Screws** (b).

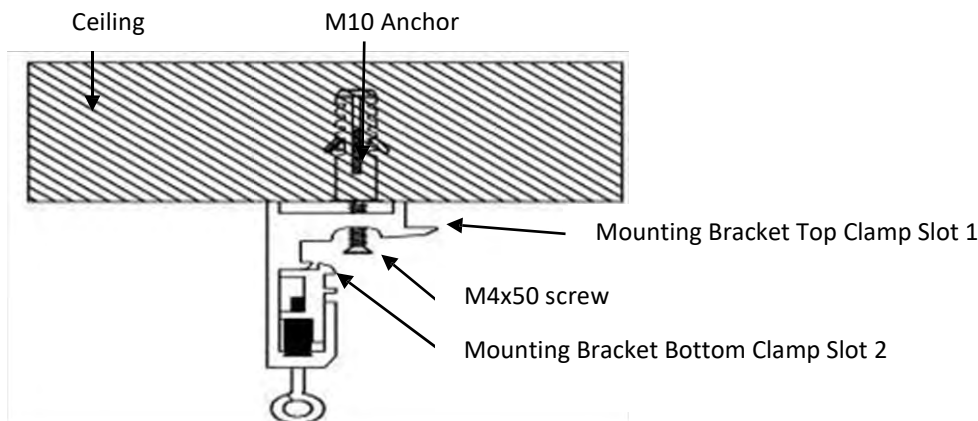


3. Insert and attach the **Top Case Slot A** to the **Top Clamp Slot 1**, then secure it by pushing and clicking it in the **Bottom Clamp Slot 2** to the **Bottom Case Slot B**. Make sure the case slots are securely attached to the mounting brackets.

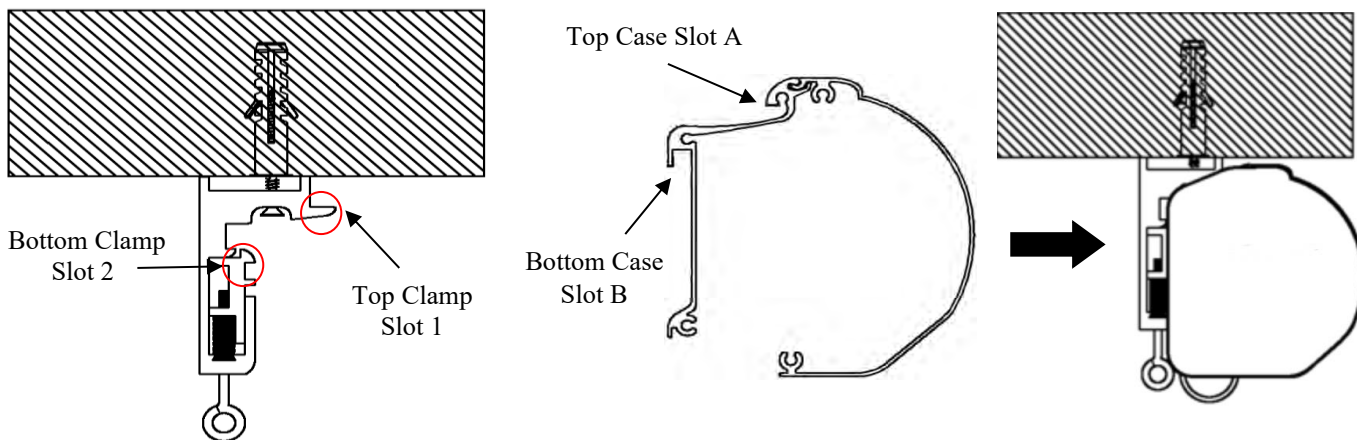


## Flush Mount to the Ceiling

1. Mark the location of where the screen is to be installed, drill your holes, and insert the **M10 Anchors** (c).
2. Install the Mounting Brackets (a) to the ceiling and secure with the M4x50 Screws (b).



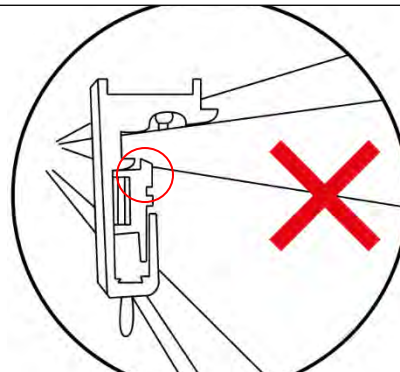
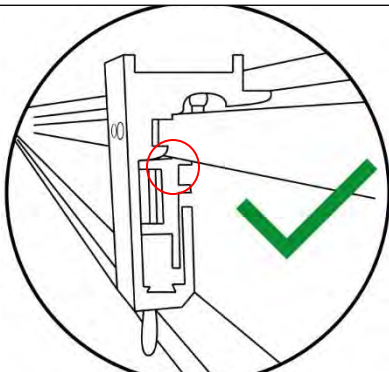
3. Insert and attach the **Top Case Slot A** to the **Top Clamp Slot 1**, then secure it by pushing and clicking it in the **Bottom Case Slot B** to the **Bottom Clamp Slot 2**. Make sure the case slots are securely attached to the mounting brackets.



## IMPORTANT: PROPERLY ATTACH THE BRACKET TO THE SCREEN CASE

**CORRECT:** BOTH TOP/BOTTOM MOUNTING BRACKET SLOTS ARE SECURELY LATCHED IN SCREEN CASE.

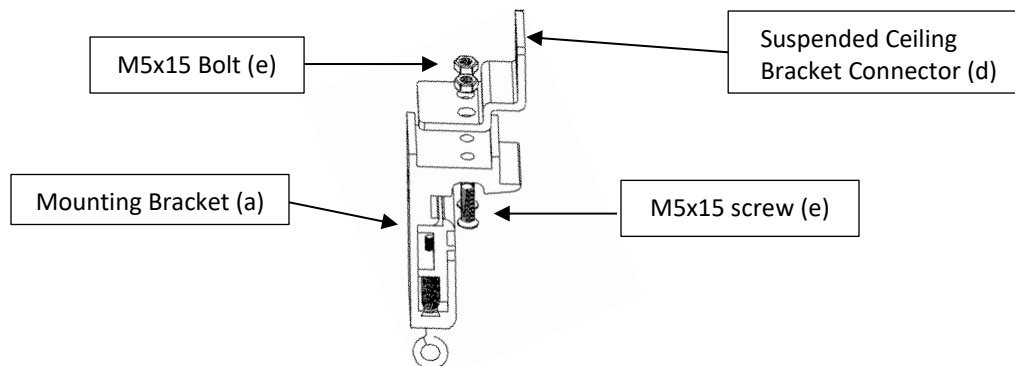
**INCORRECT:** BOTTOM MOUNTING BRACKET CLAMP SLOT IS NOT SECURELY LATCHED IN SCREEN CASE.



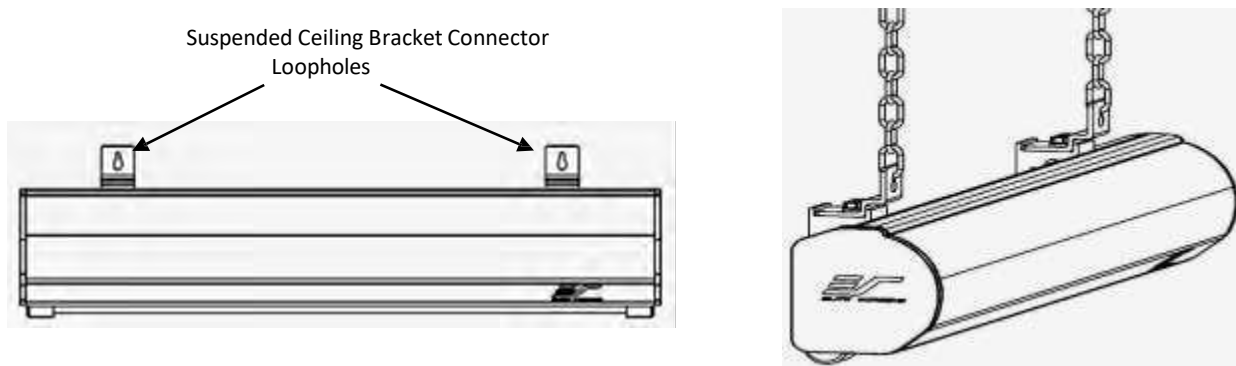
**CAUTION:** THE WALL BRACKET MUST BE SECURELY LATCHED IN THE CASE SLOTS TO PREVENT THE CASE FROM FALLING OFF.

## Suspended Ceiling using Chains (additional hardware required)

1. You can also hang the screen on the ceiling by using chains (not included).
2. Connect the Suspended Ceiling Bracket Connector (d) to the Mounting Bracket (a) and secure with the M5x15 Screws & Bolts (e).

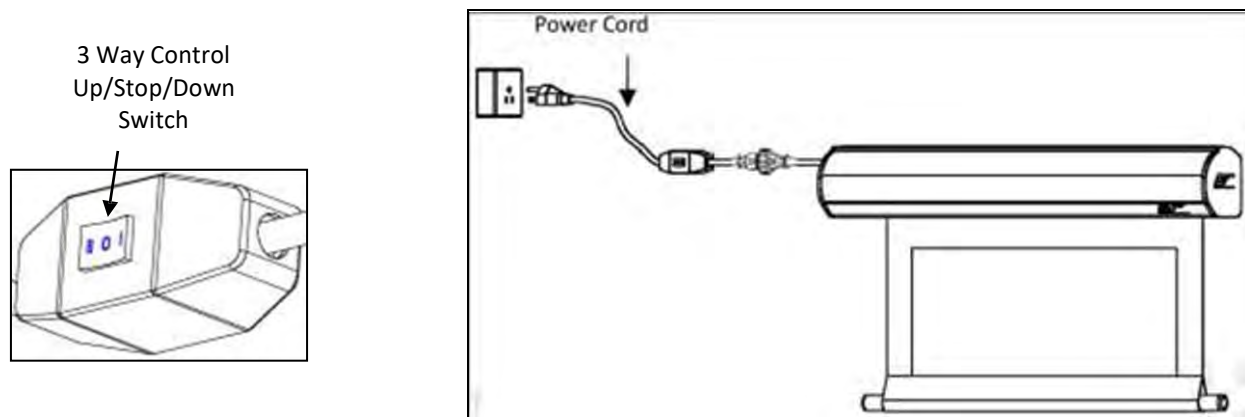


3. Insert chains (not included) through the loopholes of the Suspended Ceiling Bracket Connector (d).



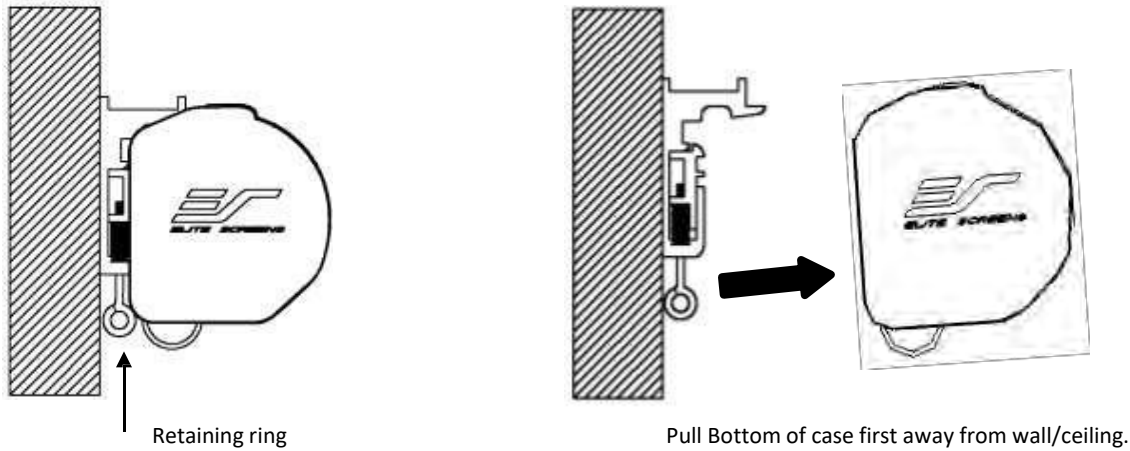
## Built-in 3 Way Control Switch

1. The Spectrum2 Series comes with a 3 Way Control Switch attached to the Power Cord, which is 3.5 meters in length.
2. Use the provided Bubble Level (f) to ensure the screen is level before plugging in the power cord



## Screen Removal from the Mounting Brackets

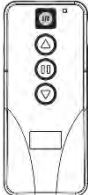
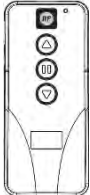
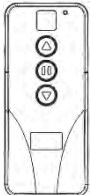
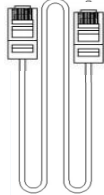

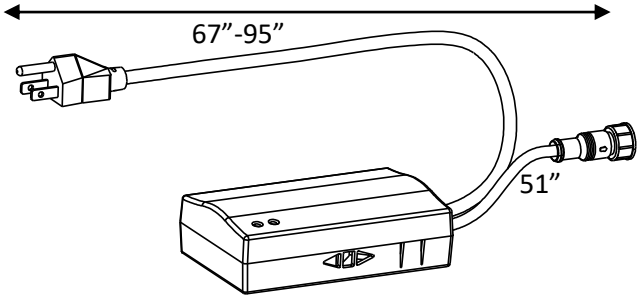
1. Pull down on the Mounting Bracket Release Tab and remove the bottom of the case first, away from the wall/ceiling, followed by the top of the case.



## ZPM-RT3 Optional Remote Control Kit for Spectrum 2 Series (sold separately)

The ZPM-RT3 kit allows your Spectrum 2 Series electric screen the ability to control it using a Radio Frequency or Infrared remote control and wall box controller with the included accessories listed below.

*Please contact Elite Screens to purchase the optional ZPM-RT3 Remote Control Kit.*

A. IR Remote ZRC1-IR	B. RF Remote ZRC1-RF	C. Wall box controller ZRC1-WB	D. RJ50 Cable ZRC1-RJ50	E. AAA batteries
				
<b>F. Circuit board housing</b>				
				

For local Elite Screens contact or Technical Support, please visit  
[www.elitescreens.com](http://www.elitescreens.com)