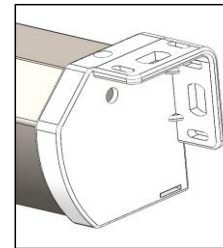
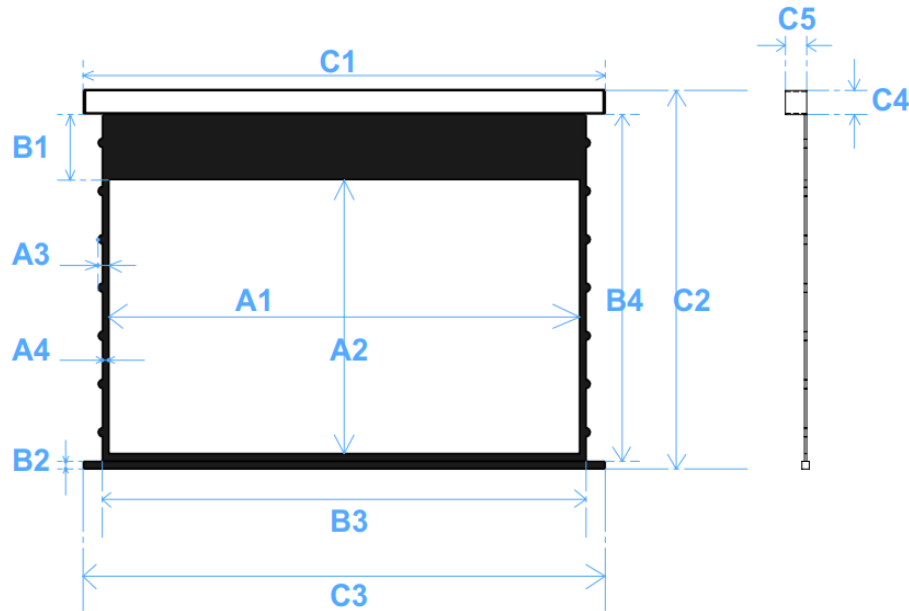


Spectrum Tab-Tension 2 Dimensions Table (Z Type)

Model Numbers	Diag. Size	Aspect Ratio	View Width (A1)	View Height (A2)	A3	L/R Border (A4)	Top Black Border (B1)	Weight Bar Height (B2)	Screen Width (B3)	Screen Height (B4)	Case Length (C1)	Overall Height (C2)	Weight Bar Length (C3)	Case Height (C4)	Case Width (C5)	Power Cord Length (E5)
Unit: Inch																
Electric100HT	100"	16:9	87.4	49.6	6.9	1.2	11.8	1.6	89.8	62.6	101.0	67.8	94.1	3.7	3.7	63.0
Electric125HT	125"	16:9	109.1	61.4	6.9	1.2	11.8	1.6	111.4	74.4	122.6	79.6	115.7	3.7	3.7	63.0
Unit: mm																
Electric100HT	100"	16:9	2220	1260	175	30	300	40	2280	1590	2565	1723	2390	93	94	1600
Electric125HT	125"	16:9	2770	1560	175	30	300	40	2830	1890	3115	2023	2940	93	94	1600

Note: Data Error ±1"

The listed measurements are for general reference only. Please contact Elite Screens to verify product design and dimensions before attempting to integrate its products with any structural or furniture modification. Although a manufacturer may offer product advice, it may be taken or disregarded at the integrator's discretion. Elite Screens will not be held responsible or be otherwise liable for faulty installations



Case for Below 125" Models

Case for 125" Models and Above

