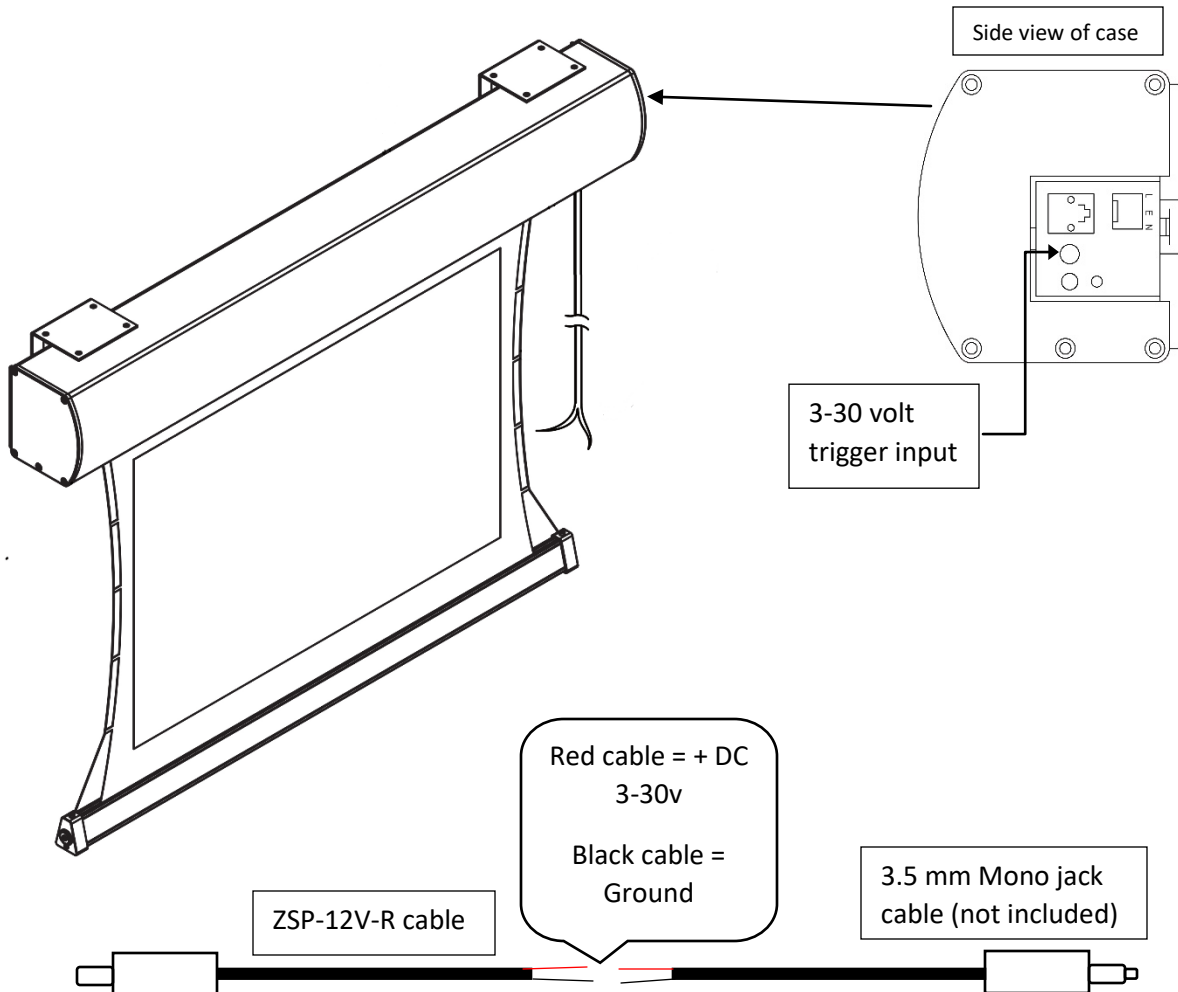


CineTension B 12-volt trigger cable instructions (ZSP-12V-R)



Instructions:

1. The 3.5 mm mono jack cable wiring needed to extend the ZSP-12V-R to the projector's trigger output port is not provided.
2. Determine the length required and purchase a 3.5 mm **Mono** Jack cable
3. Splice the 3.5 mm **Mono** Jack (*Stereo will not work*) and wire the Black and Red wires to the ZSP-12V-R cable as shown above in the illustration.
4. Connect the Mono jack end to your projector's output trigger port and the ZSp-12V-R to the Trigger port located on the right side of the end cap (see side view illustration above).
5. Turn on the trigger feature on your projector and the screen will synchronize with the projector's power cycle to deploy and retract your CineTension B screen.

Note: You can also test the function of the trigger using a 9-volt battery.

For Technical Support, please email techsupport@elitescreens.com or reach us at 1+562-483-8198